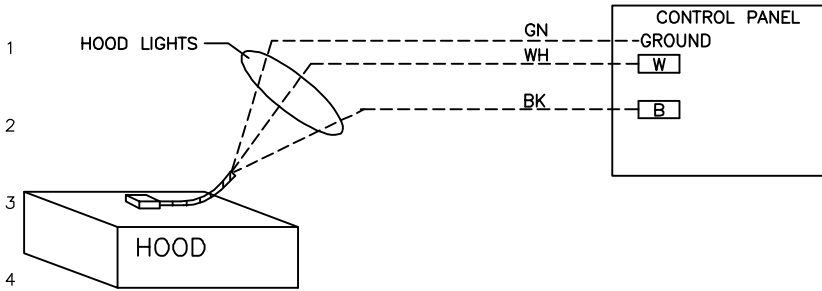
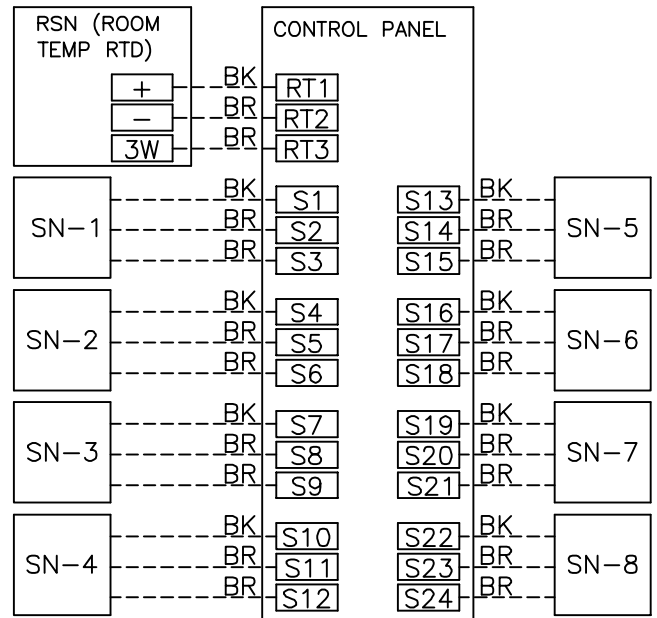


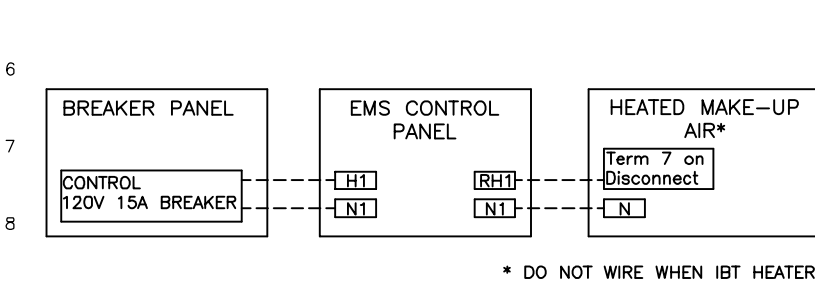
HOOD TO CONTROL PANEL



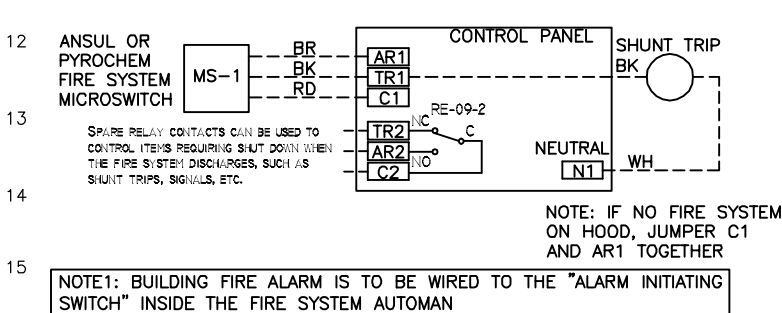
TEMPERATURE SENSOR WIRING (IF FIELD INSTALLED)



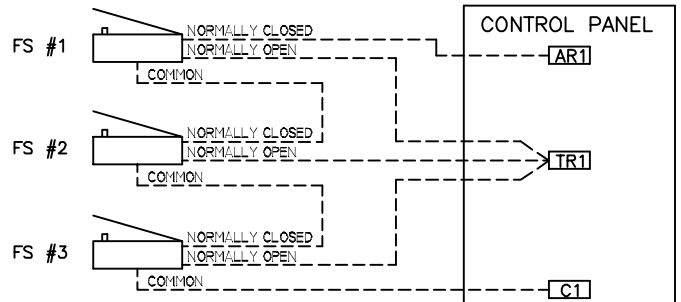
POWER FEED FOR CONTROLS AND LIGHTING



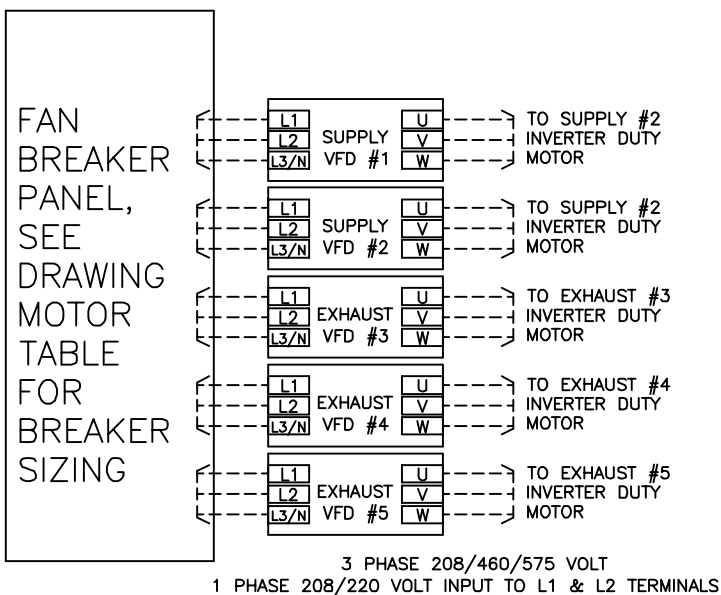
FIRE SYSTEM MICROSWITCH WIRING TO CONTROL PANEL



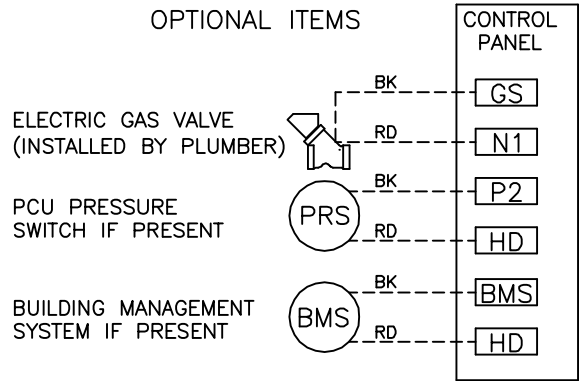
MICRO-SWITCHES WIRING WHEN MULTIPLE FIRE SYSTEMS CONNECTED TO ONE SCS PANEL (3 SHOWN HERE)



FAN WIRING TO CONTROL PANEL



OPTIONAL ITEMS



NOTES

----- DENOTES FIELD WIRING  
————— DENOTES INTERNAL WIRING

WIRE COLOR

- BK - BLACK
- BL - BLUE
- BR - BROWN
- OR - ORANGE
- RD - RED
- WH - WHITE
- GN - GREEN
- YW - YELLOW
- GY - GRAY
- PR - PURPLE
- OR/BL - ORANGE/BLUE (STRIPE)
- BL/RD - BLUE/RED (STRIPE)
- RD/GN - RED/GREEN (STRIPE)