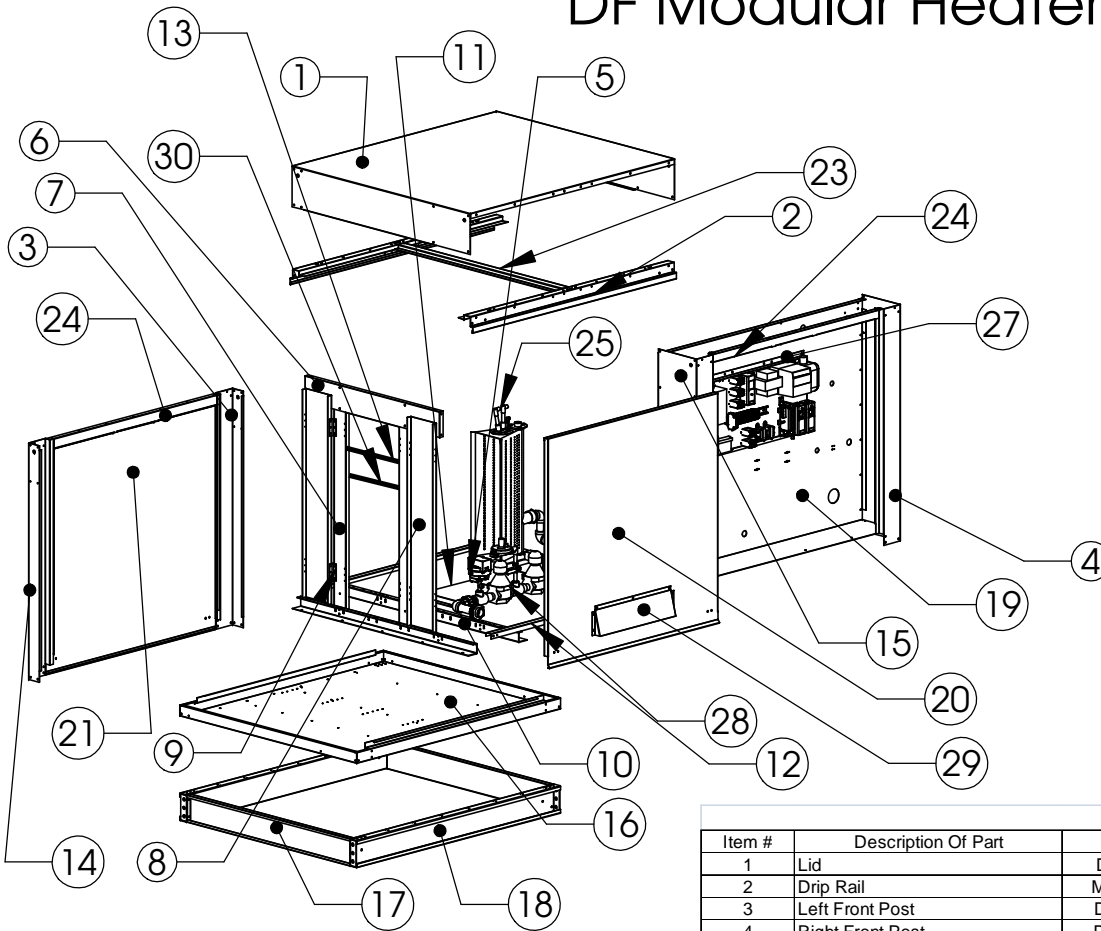


DF Modular Heater



Revision History				
#	Description	Revised by	ECN#	Date
1	Updated Parts Information	AJK	2142	9/15/10
2	Add Top Profile Plates	AJK	2241	3/11/11

NOTES:

- Item 13 is used on the size 1 heater with a 6 inch burner, the size 2 heater with a 6 inch burner, and the size 3 heater with a 12 inch burner.
- Bottom Liner part number is D*LINA.
- Rotary Disconnect RRDJ number is D*RRDJRD.
- Item 30 is used on size 2 heaters with 6 and 12 inch burners when CFMs are below 2500. Item 30 is placed directly below item 13 on size 2 heaters with 6 inch burners. Item 30 is used by itself on size 2 heaters with 12 inch burners below 2500 cfm.

Direct-Fired Part Information.

Item #	Description Of Part	DF-1	#	DF-2	#	DF-3	#	DF-4	#	DF-5	#
1	Lid	D1LIDD	1	D2LIDD	1	D3LIDD	1	D4LIDD	1	D5LIDD	1
2	Drip Rail	MD13DR	2	MD13DR	2	MD13DR	2	MD45DR	2	MD45DR	2
3	Left Front Post	D1LTFP	1	D2LTFP	1	D3LTFP	1	D4LTFP	1	D5LTFP	1
4	Right Front Post	D1RTFP	1	D2RTFP	1	D3RTFP	1	D4RTFP	1	D5RTFP	1
5	Burner Support	MDBSUP	1	MDBSUP	1	MDBSUP	1	MDBSUP	1	MDBSUP	1
6	Top Profile Plate	D1BTPP	1	D2BTPP	1	D3BTPP	1	D4BTPP	1	D5BTPP	1
7	Profile Plate Post	D1PPPT	2	D2PPPT	2	D3PPPT	2	D4PPPT	2	D5PPPT	2
8	Adjustable Plate	D1APPP	2	D2APPP	2	D3APPP	2	D4APPP	2	D5APPP	2
9	Profile Plate Spring	531944-0104	4	STS1643035	6	STS1643035	8	H2013-A	4	H2013-A	4
10	Horizontal Support	M1HSUP	2	M2HSUP	2	M3HSUP	2	M4HSUP	2	M5HSUP	2
11	Heat Shield	MDFRSD	1	MDFRSD	1	MDFRSD	1	MDFRSD	1	MDFRSD	1
12	Door Hook	MD13DRHK	2	MD13DRHK	2	MD13DRHK	2	MD45DRHK	2	MD45DRHK	2
13	Top Profile Blank****	D16TPP	1	D26TPP	1	D32TPP	1	N/A	N/A	N/A	N/A
14	Left Rear Post	D1LRDJNV	1	D2LRDJNV	1	D3LRDJNV	1	D4LRDJNV	1	D5LRDJNV	1
15	Right Rear Post	D1RRDJ	1	D2RRDJ	1	D3RRDJ	1	D4RRDJ	1	D5RRDJ	1
16	Bottom	D1BOTT	1	D2BOTT	1	D3BOTT	1	D4BOTT	1	D5BOTT	1
17	End Flashing	M1EFLS	2	M2EFLS	2	M3EFLS	2	M4EFLS	2	M5EFLS	2
18	Main Rail	MD12MR	2	MD12MR	2	MD3MR	2	MD45MR	2	MD45MR	2
19	Electric Cabinet Back	D1ECBK	1	D2ECBK	1	D3ECBK	1	D4ECBK	1	D5ECBK	1
20	Door With Louvers	D1DOORL	1	D2DOORL	1	D3DOORL	1	D4DOORL	1	D5DOORL	1
21	Door	D1DOOR	1	D2DOOR	1	D3DOOR	1	D4DOOR	1	D5DOOR	1
Not Shown	Lifting Lugs	MLIFTL	4	MLIFTL	4	MLIFTL	4	MLIFTL	4	MLIFTL	4
23	Lid Support	N/A	0	N/A	0	N/A	0	M4LSUP	2	M5LSUP	2
24	Door Support	MD13DRSP	2	MD13DRSP	2	MD13DRSP	2	MD45DRSP	2	MD45DRSP	2
25	Flame Rod	1190870	1	1190870	1	1190870	1	1190870	1	1190870	1
26	Burner Length	6-12 inches	1	12-18 inches	1	18-24 inches	1	24-30 inches	1	48-60 inches	1
27	Electric Board	MDEBRD	1	MDEBRD	1	MDEBRD	1	MDEBRD	1	MDEBRD	1
28	Gas Train	N/A	1	N/A	1	N/A	1	N/A	1	N/A	1
29	Louver Cover	MD15LCOVER	1	MD15LCOVER	1	MD15LCOVER	1	MD15LCOVER	1	MD15LCOVER	1
30	Low CFM top Profile Blank***	N/A	0	D2TPPLow	1	N/A	0	N/A	0	N/A	0