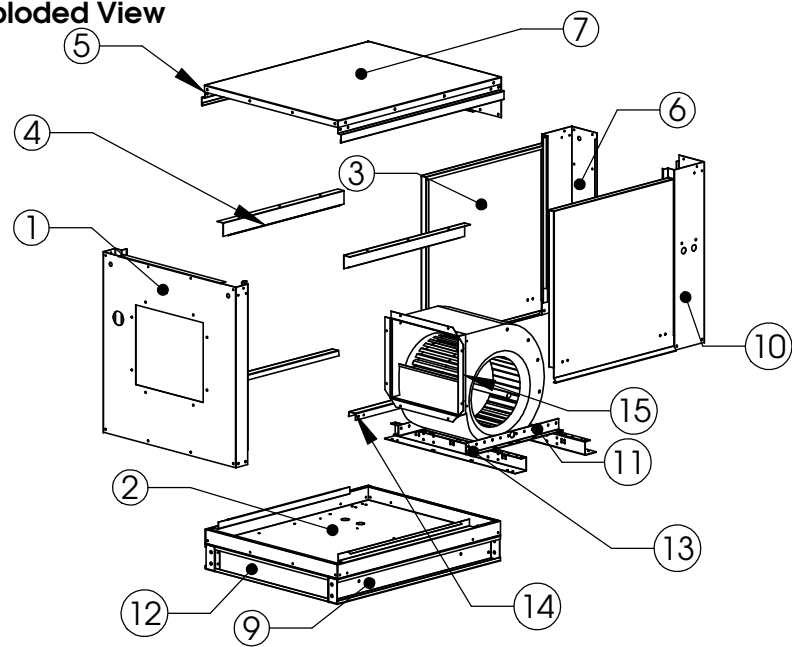
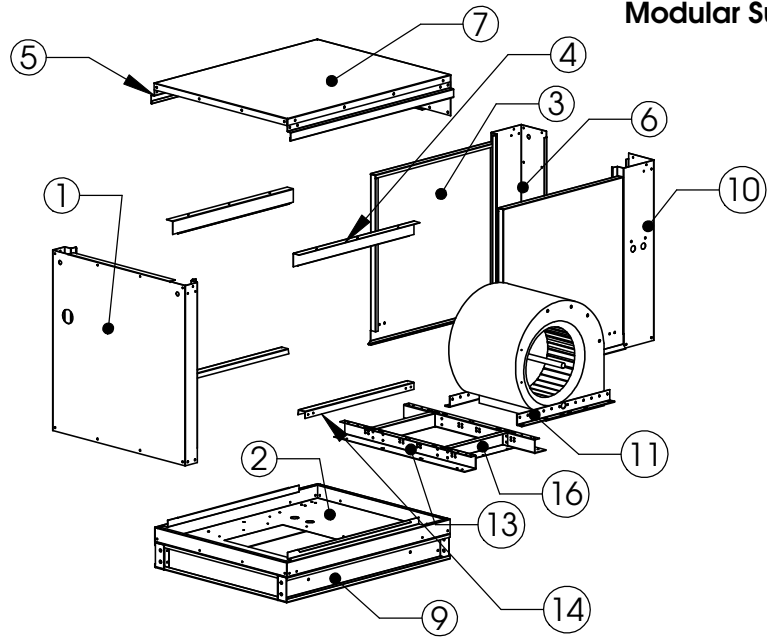


Modular Supply Exploded View



Blower Size and Orientation																
#	Part Name	Quantity	G10 Down	G10 Side	G12 Down	G12 Side	G15 Down	G15 Side	G18 Down	G18 Side	920 Down	920 Side	925 Down	925 Side		
1	Back	1	B1DDBKVP	B10SDBKVP	B2DDBKVP	B22SDBK	B2DDBKVP	B25SDBKVP	B3DDBKVP	B3SDBKVP	B4DDBKVP	B4SDBKVP	B5DDBKVP	B5SDBKVP		
2	Bottom	1	B1DDBT	B1SDBT	B22DDB	B2SDBT	B25DDB	B2SDBT	B3DDBT	B3SDBT	B4DDBT	B4SDBT	B5DDBT	B5SDBT		
3	Door	2	B1DOOR			B2DOOR			B3DOOR			B4DOOR			B5DOOR	
4	Door Support	2	B1DRSP			B2DRSP			B3DRSP			B4DRSP			B5DRSP	
5	Drip Rail	2	B1DPRL			B2DPRL			B3DPRL			B4DPRL			B5DPRL	
6	Left Front Post	1	B1LTFFP			B2LTFFP			B3LTFFP			B4LTFFP			B5LTFFP	
7	Lid	1	B1LIDD			B2LIDD			B3LIDD			B4LIDD			B5LIDD	
8	Lid Support (not shown)	1	N/A											M4LSUP		M5LSUP
9	Main Rail	2	B1MNRL			B2MNRL			B3MNRL			B4MNRL			B5MNRL	
10	Right Front Post	1	B1RTFFP			B2RTFFP			B3RTFFP			B4RTFFP			B5RTFFP	
11	Blower Brace	2	B1BLBC			B2BLBC			B3BLBC			N/A				
12	End Flashing	2	M1EFLS			M2EFLS			M3EFLS			M4EFLS			M5EFLS	
13	Horizontal Support	2	M1HSUP			M2HSUP			M3HSUP			M4HSUP			M5HSUP	
14	Door Hook	2	B1DRHK			B2DRHK			B3DRHK			B4DRHK			B5DRHK1	
15	Blower Collar	1	N/A	B1G10COL	N/A	B2G12COL	N/A	B2G15COL	N/A	B3G18COL	N/A	B4920COL	N/A	B5925COL		
16	Blower Discharge Cap	2	B1G10DCP	N/A	B2G12DCP	N/A	B2G15DCP	N/A	B3G18DCP	N/A	N/A	B4920DCP	N/A	B5925DCP		
Motor Mounting Hardware	Motor Brackets	2	6111029			6110030			N/A							
	Motor Platform	1	2180113					3180027			3180028		8721		8723	
	Scroll Plate Angle	2	N/A					2190075			2180075		N/A			
	Direct Drive Bracket	2	B1DDMM			N/A										

NOTES:

- 1) 925 models have 2 extra doors (part # B5BDOR)
- 2) 925 models have 2 extra door hooks (part # B5DRHK2 that attach to B5BDOR)
- 3) 925 models have a 3 piece bottom. 2 of part number B5SID attaches to the sides of the 925 bottom.
- 4) 925 Side Discharge Models Require 3 horizontal supports (M5HSUP)
- 5) All model use 4 of MLIFTL lifting lugs.

- 6) Right Front Post has multiple configurations for various disconnect switches.
(RD) for rotary disconnect
(NS) for no switch
- 7) Disconnect switch is dependent on motor load.
- 8) L1VIB vibration isolator used on G Series blowers.
- 9) 800106 isolators with fender washers used on 900 series blowers.