

IBT

Exploded
View

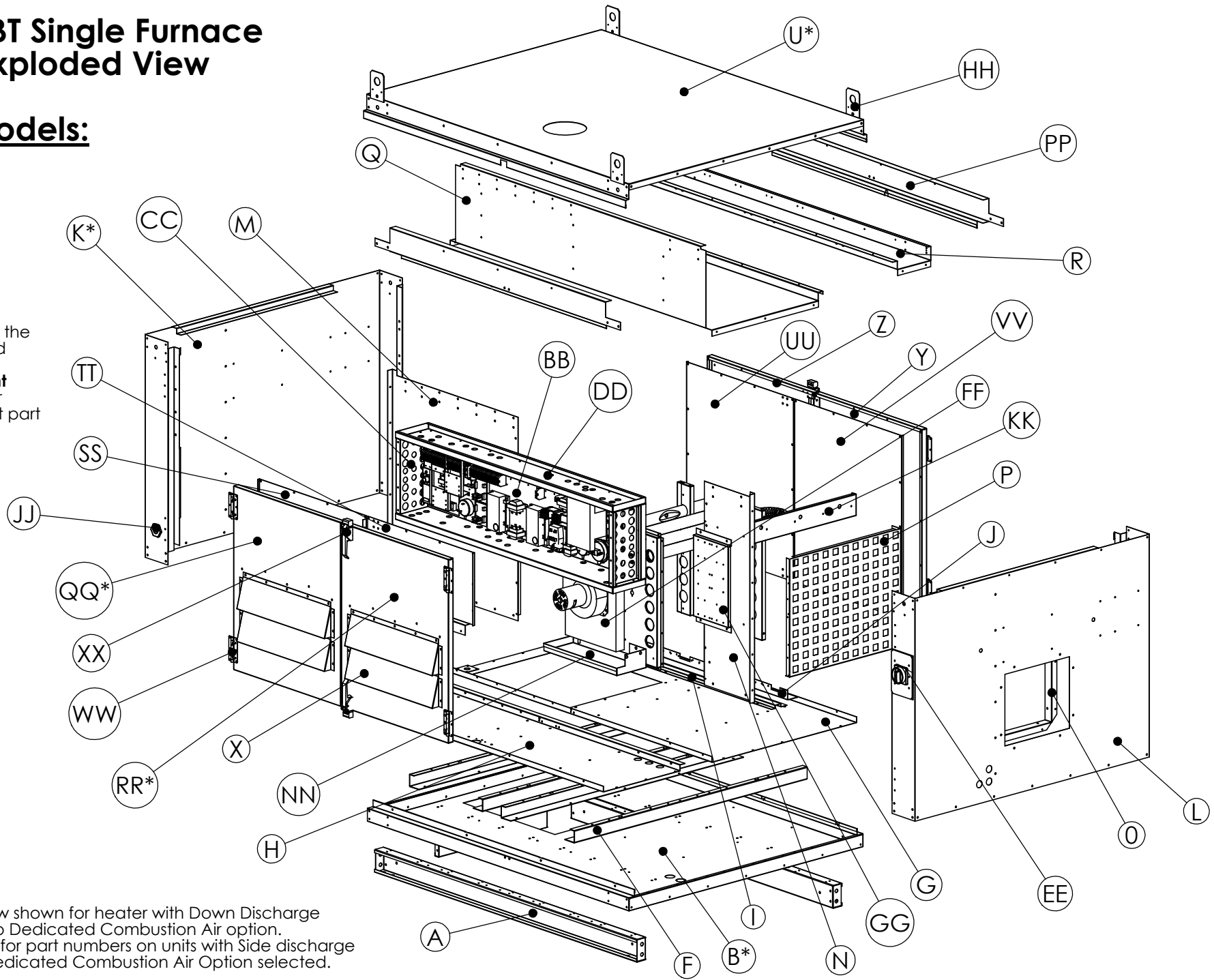
7/20/18

Size 1-2 IBT Single Furnace Hinged Exploded View

Heater Models:

- 1-IBT 150
- 1-IBT 200
- 2-IBT 200
- 2-IBT 300
- 2-IBT 400

Reference Table on the following page titled "Size 1-2 IBT Single Furnace Component Reference Table" for specific component part numbers.



*Note: Exploded view shown for heater with Down Discharge Configuration and no Dedicated Combustion Air option. Reference the Table for part numbers on units with Side discharge configuration and Dedicated Combustion Air Option selected.

Material: N/A
Blank Size: N/A
Weight: N/A

Part Number: N/A
MACOLA/AX Number: N/A
Drawing Name: IBT EXPLODED HINGED
Drawn By: AJK
Parent Assembly: IBT
Sheet: 2 of 10

Unless Otherwise Specified
Dimensions are in Inches.
Standard Tolerances are:
Fractions: ±1/16
Decimal: .XX±.05
.XXX±.015
Angles: ±1°

CONFIDENTIAL

Size 1-2 IBT Single Furnace Hinged Component Reference Table

*Note: Exploded view shown for heater with Down Discharge Configuration and no Dedicated Combustion Air option. Reference inside the Table for part numbers on units with Side discharge configuration and Dedicated Combustion Air Option selected.

COMPONENT REFERENCE TABLE							
LABEL	Description	1-IBT 150	1-IBT 200	2-IBT 200	2-IBT 300	2-IBT 400	QNTY
A	Main Rail	IBT12MR	IBT12MR	IBT12MR	IBT12MR	IBT12MR	2
B*	Base	IBT18SDDH (Down Discharge) IBT12BSSDH (Side Discharge)	IBT18SDDH (Down Discharge) IBT12BSSDH (Side Discharge)	IBT28SDDH (Down Discharge) IBT12BSSDH (Side Discharge)	IBT28SDDH (Down Discharge) IBT12BSSDH (Side Discharge)	IBT28SDDH (Down Discharge) IBT12BSSDH (Side Discharge)	1
F	Horizontal Support	IBT12HS	IBT12HS	IBT12HS	IBT12HS	IBT12HS	4
G*	HE Bottom	IBT12HEBOTDD (Down Discharge) IBT12HEBOTSD (Side Discharge)	IBT12HEBOTDD (Down Discharge) IBT12HEBOTSD (Side Discharge)	IBT12HEBOTDD (Down Discharge) IBT12HEBOTSD (Side Discharge)	IBT12HEBOTDD (Down Discharge) IBT12HEBOTSD (Side Discharge)	IBT12HEBOTDD (Down Discharge) IBT12HEBOTSD (Side Discharge)	1
H	Cabinet Bottom	IBT15CBBT	IBT15CBBT	IBT15CBBT	IBT15CBBT	IBT15CBBT	1
I	Hot Channel	IBT15HC	IBT15HC	IBT15HC	IBT15HC	IBT15HC	1
J	Tie Down	IBT15TD	IBT15TD	IBT15TD	IBT15TD	IBT15TD	1
K*	Back	IBT18KDDH (Down Discharge) IBT18KSDH (Side Discharge)	IBT18KDDH (Down Discharge) IBT18KSDH (Side Discharge)	IBT12BKDDH (Down Discharge) IBT12BKSDH (Side Discharge)	IBT2BKDDH (Down Discharge) IBT2BKSDH (Side Discharge)	IBT2BKDDH (Down Discharge) IBT2BKSDH (Side Discharge)	1
L	Front	IBT1FTH	IBT1FTH	IBT12FTH	IBT2FTH	IBT2FTH	1
M	HE Left Flashing	IBT1HELFS	IBT1HELFS	IBT1HELFS	IBT24HELFS	IBT24HELFS	1
N	HE Right Flashing	IBT1HERF	IBT1HERF	IBT1HERF	IBT24HERF	IBT24HERF	1
O	Blower Collar	B1G10COL	B1G10COL	B2G15COL	B2G15COL	B2G15COL	1
P	Air Distribution Screen	IBTHE150ADS	IBTHE200ADS	IBTHE200ADS	IBTHE300ADS	IBTHE400ADS	1
Q	HE Top Flashing	IBT1HE150TF	IBT1HE200TF	IBT1HE200TF	IBT24HE300TF	IBT24HE400TF	1
R	HE End Flashing	IBT14HEEF	IBT14HEEF	IBT14HEEF	IBT14HEEF	IBT14HEEF	1
U*	Lid	IBT12LIDSF IBT12LIDSFDC (Dedicated Combustion)	IBT12LIDSF IBT12LIDSFDC (Dedicated Combustion)	IBT12LIDSF IBT12LIDSFDC (Dedicated Combustion)	IBT12LIDSF IBT12LIDSFDC (Dedicated Combustion)	IBT12LIDSF IBT12LIDSFDC (Dedicated Combustion)	1
X	Louver Cover	MD15LCOVER	MD15LCOVER	MD15LCOVER	MD15LCOVER	MD15LCOVER	4
Y*	Left Door	IBT12LDH	IBT12LDH	IBT12LDH	IBT24LDH	IBT24LDH	1
Z	Right Door	IBT12RDH	IBT12RDH	IBT12RDH	IBT24RDH	IBT24RDH	1
BB	Electrical Back	IBT15ELBK	IBT15ELBK	IBT15ELBK	IBT15ELBK	IBT15ELBK	1
CC	Electrical Side	IBT15ELSD	IBT15ELSD	IBT15ELSD	IBT15ELSD	IBT15ELSD	2
DD	Electrical Top	IBT15ELTP	IBT15ELTP	IBT15ELTP	IBT15ELTP	IBT15ELTP	2
EE	Rotary Disconnect	Sized Per Motor	Sized Per Motor	Sized Per Motor	Sized Per Motor	Sized Per Motor	1
FF	400 MBH Furnace	CP706	CP708	CP708	CP712	CP715	1
GG	VFD Back	IBT15VFDB	IBT15VFDB	IBT15VFDB	IBT15VFDB	IBT15VFDB	1
HH	Lifting Lug	MLIFTL	MLIFTL	MLIFTL	MLIFTL	MLIFTL	4
JJ	Gas Inlet Quickseal	172	172	213	213	213	1
KK	Horizontal Brace	-	-	-	IBT12HB	IBT12HB	1
NN	Burner Drip Pan	IBT15BDPN	IBT15BDPN	IBT15BDPN	IBT15BDPN	IBT15BDPN	1
PP	Top Door Support	IBT14TDSH	IBT14TDSH	IBT14TDSH	IBT14TDSH	IBT14TDSH	2
QQ*	Left Door Louvered Hinged	IBT12LDLH IBT12LDLH w/IBT14LVSLH	IBT12LDLH IBT12LDLH w/IBT14LVSLH	IBT12LDLH IBT12LDLH w/IBT14LVSLH	IBT24LDLH IBT24LDLH w/IBT14LVSLH	IBT24LDLH IBT24LDLH w/IBT14LVSLH	1
RR*	Right Door Louvered Hinged	IBT12RDLH IBT12RDLH w/IBT14LVSLH	IBT12RDLH IBT12RDLH w/IBT14LVSLH	IBT12RDLH IBT12RDLH w/IBT14LVSLH	IBT24RDLH IBT24RDLH w/IBT14LVSLH	IBT24RDLH IBT24RDLH w/IBT14LVSLH	1
SS	Left Door Louvered Liner	IBT12LDLH	IBT12LDLH	IBT12LDLH	IBT24LDLH	IBT24LDLH	1
TT	Right Door Louvered Liner	IBT12RDLH	IBT12RDLH	IBT12RDLH	IBT24RDLH	IBT24RDLH	1
UU	Right Door Liner	IBT12LRDH	IBT12LRDH	IBT12LRDH	IBT24LRDH	IBT24LRDH	1
VV	Left Door Liner	IBT12LLDH	IBT12LLDH	IBT12LLDH	IBT24LLDH	IBT24LLDH	1
WW	Door Hinge	HG-OTA100	HG-OTA100	HG-OTA100	HG-OTA100 (Qty.12)	HG-OTA100 (Qty. 12)	8
XX	Door Latch	A7-10-351-20	A7-10-351-20	A7-10-351-20	A7-10-351-20	A7-10-351-20	4

Material: N/A
Blank Size: N/A
Weight: N/A

Part Number: N/A
MACOLA/AX Number: N/A
Drawing Name: IBT EXPLODED HINGED
Drawn By: AJK
Parent Assembly: IBT
Sheet: 3 of 10

Unless Otherwise Specified
Dimensions are in Inches.
Standard Tolerances are:
Fractions: ±1/16
Decimal: .XX ±.05
.XXX ±.015
Angles: ±1°

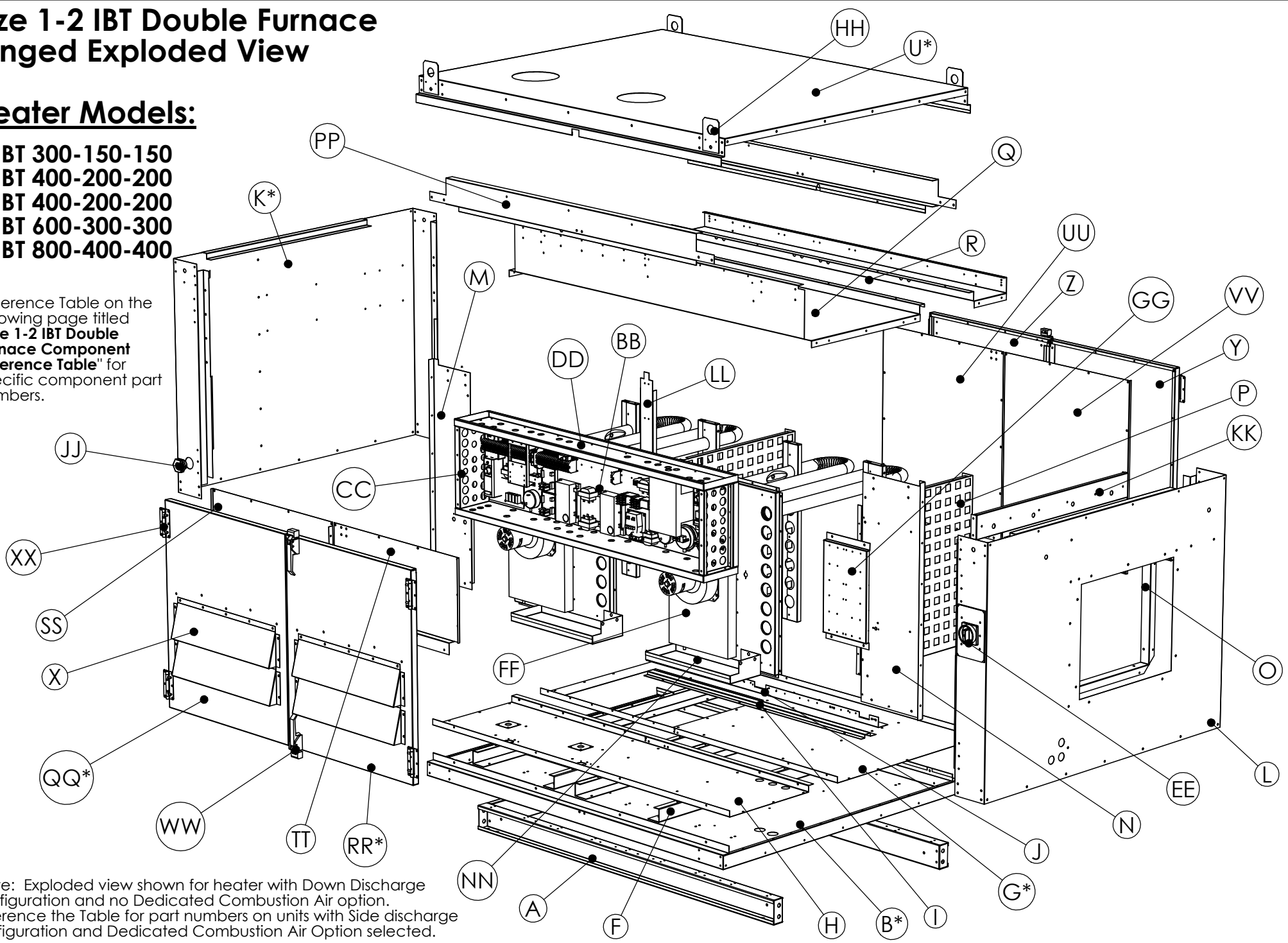
CONFIDENTIAL

Size 1-2 IBT Double Furnace Hinged Exploded View

Heater Models:

- 1-IBT 300-150-150
- 1-IBT 400-200-200
- 2-IBT 400-200-200
- 2-IBT 600-300-300
- 2-IBT 800-400-400

Reference Table on the following page titled "Size 1-2 IBT Double Furnace Component Reference Table" for specific component part numbers.



*Note: Exploded view shown for heater with Down Discharge Configuration and no Dedicated Combustion Air option. Reference the Table for part numbers on units with Side discharge configuration and Dedicated Combustion Air Option selected.

Material: N/A
Blank Size: N/A
Weight: N/A

Part Number: N/A
MACOLA/AX Number: N/A
Drawing Name: IBT EXPLODED HINGED
Drawn By: AJK
Parent Assembly: IBT
Sheet: 4 of 10

Unless Otherwise Specified Dimensions are in Inches.
Standard Tolerances are:
Fractions: ±1/16
Decimal: .XX±.05
.XXX±.015
Angles: ±1°

CONFIDENTIAL

Size 1-2 IBT Double Furnace Hinged Component Reference Table

*Note: Exploded view shown for heater with Down Discharge Configuration and no Dedicated Combustion Air option. Reference inside the Table for part numbers on units with Side discharge configuration and Dedicated Combustion Air Option selected.

COMPONENT REFERENCE TABLE							
LABEL	Description	1-IBT 300-150-150	1-IBT 400-200-200	2-IBT 400-200-200	2-IBT 600-300-300	2-IBT 800-400-400	QNTY
A	Main Rail	IBT12MR	IBT12MR	IBT12MR	IBT12MR	IBT12MR	2
B*	Base	IBT1BSDDH (Down Discharge) IBT12BSDDH (Side Discharge)	IBT1BSDDH (Down Discharge) IBT12BSDDH (Side Discharge)	IBT2BSDDH (Down Discharge) IBT12BSDDH (Side Discharge)	IBT2BSDDH (Down Discharge) IBT12BSDDH (Side Discharge)	IBT2BSDDH (Down Discharge) IBT12BSDDH (Side Discharge)	1
F	Horizontal Support	IBT12HS	IBT12HS	IBT12HS	IBT12HS	IBT12HS	4
G*	HE Bottom	IBT12HEBOTDD (Down Discharge) IBT12HEBOTSD (Side Discharge)	IBT12HEBOTDD (Down Discharge) IBT12HEBOTSD (Side Discharge)	IBT12HEBOTDD (Down Discharge) IBT12HEBOTSD (Side Discharge)	IBT12HEBOTDD (Down Discharge) IBT12HEBOTSD (Side Discharge)	IBT12HEBOTDD (Down Discharge) IBT12HEBOTSD (Side Discharge)	1
H	Cabinet Bottom	IBT15CBBT	IBT15CBBT	IBT15CBBT	IBT15CBBT	IBT15CBBT	1
I	Hat Channel	IBT15HC	IBT15HC	IBT15HC	IBT15HC	IBT15HC	1
J	Tie Down	IBT15TD	IBT15TD	IBT15TD	IBT15TD	IBT15TD	1
K*	Back	IBT1BKDDH (Down Discharge) IBT1BKSDH (Side Discharge)	IBT1BKDDH (Down Discharge) IBT1BKSDH (Side Discharge)	IBT12BKDDH (Down Discharge) IBT12BKSDH (Side Discharge)	IBT2BKDDH (Down Discharge) IBT2BKSDH (Side Discharge)	IBT2BKDDH (Down Discharge) IBT2BKSDH (Side Discharge)	1
L	Front	IBT1FTH	IBT1FTH	IBT12FTH	IBT2FTH	IBT2FTH	1
M	HE Left Flashing	IBT1HELFD	IBT1HELFD	IBT1HELFD	IBT24HELFD	IBT24HELFD	1
N	HE Right Flashing	IBT1HERF	IBT1HERF	IBT1HERF	IBT24HERF	IBT24HERF	1
O	Blower Collar	B1G10COL	B1G10COL	B2G15COL	B2G15COL	B2G15COL	1
P	Air Distribution Screen	IBTHE150ADS	IBTHE200ADS		IBTHE300ADS	IBTHE400ADS	2
Q	HE Top Flashing	IBT1HE150TF	IBT1HE200TF	IBT1HE200TF	IBT24HE300TF	IBT24HE400TF	1
R	HE End Flashing	IBT14HEEF	IBT14HEEF	IBT14HEEF	IBT14HEEF	IBT14HEEF	1
U*	Lid	IBT12LIDDF IBT12LIDDFDC (Dedicated Combustion)	IBT12LIDDF IBT12LIDDFDC (Dedicated Combustion)	IBT12LIDDFDC (Dedicated Combustion)	IBT12LIDDFDC (Dedicated Combustion)	IBT12LIDDFDC (Dedicated Combustion)	1
X	Louver Cover	MD15LCOVER	MD15LCOVER	MD15LCOVER	MD15LCOVER	MD15LCOVER	4
Y*	Left Door	IBT12LDH	IBT12LDH	IBT12LDH	IBT24LDH	IBT24LDH	1
Z	Right Door	IBT12RDH	IBT12RDH	IBT12RDH	IBT24RDH	IBT24RDH	1
BB	Electrical Back	IBT15ELBK	IBT15ELBK	IBT15ELBK	IBT15ELBK	IBT15ELBK	1
CC	Electrical Side	IBT15ELSD	IBT15ELSD	IBT15ELSD	IBT15ELSD	IBT15ELSD	2
DD	Electrical Top	IBT15ELTP	IBT15ELTP	IBT15ELTP	IBT15ELTP	IBT15ELTP	2
EE	Rotary Disconnect	Sized Per Motor	Sized Per Motor	Sized Per Motor	Sized Per Motor	Sized Per Motor	1
FF	400 MBH Furnace	CP706	CP708	CP708	CP712	CP715	2
GG	VFD Back	IBT15VFDB	IBT15VFDB	IBT15VFDB	IBT15VFDB	IBT15VFDB	1
HH	Lifting Lug	MLIFTL	MLIFTL	MLIFTL	MLIFTL	MLIFTL	4
JJ	Gas Inlet Quickseal	172	172	213	213	213	1
KK	Horizontal Brace	-	-	-	IBT12HB	IBT12HB	1
LL	HE Divider	IBTHE150DIV	IBTHE200DIV	IBTHE200DIV	IBTHE300DIV	IBTHE400DIV	1
NN	Burner Drip Pan	IBT15BDPN	IBT15BDPN	IBT15BDPN	IBT15BDPN	IBT15BDPN	2
PP	Top Door Support	IBT14TDSH	IBT14TDSH	IBT14TDSH	IBT14TDSH	IBT14TDSH	2
QQ*	Left Door Louvered Hinged	IBT12LDLH IBT12LDLH w/IBT14LVSLH	IBT12LDLH IBT12LDLH w/IBT14LVSLH	IBT12LDLH w/IBT14LVSLH	IBT24LDLH w/IBT14LVSLH	IBT24LDLH w/IBT14LVSLH	1
RR*	Right Door Louvered Hinged	IBT12RDLH IBT12RDLH w/IBT14LVSLH	IBT12RDLH IBT12RDLH w/IBT14LVSLH	IBT12RDLH w/IBT14LVSLH	IBT24RDLH w/IBT14LVSLH	IBT24RDLH w/IBT14LVSLH	1
SS	Left Door Louvered Liner	IBT12LLDLH	IBT12LLDLH	IBT12LLDLH	IBT24LLDLH	IBT24LLDLH	1
TT	Right Door Louvered Liner	IBT12LRDLH	IBT12LRDLH	IBT12LRDLH	IBT24LRDLH	IBT24LRDLH	1
UU	Right Door Liner	IBT12LRDH	IBT12LRDH	IBT12LRDH	IBT24LRDH	IBT24LRDH	1
VV	Left Door Liner	IBT12LLDH	IBT12LLDH	IBT12LLDH	IBT24LLDH	IBT24LLDH	1
WW	Door Hinge	HG-OTA100	HG-OTA100	HG-OTA100	HG-OTA100 (Qty. 12)	HG-OTA100 (Qty. 12)	8
XX	Door Latch	A7-10-351-20	A7-10-351-20	A7-10-351-20	A7-10-351-20	A7-10-351-20	4

Material: N/A
Blank Size: N/A
Weight: N/A

Part Number: N/A
MACOLA/AX Number: N/A
Drawing Name: IBT EXPLODED HINGED
Drawn By: AJK
Parent Assembly: IBT
Sheet: 5 of 10

Unless Otherwise Specified
Dimensions are in Inches.
Standard Tolerances are:
Fractions: ±1/16
Decimal: .XX±.05
.XXX±.015
Angles: ±1°

CONFIDENTIAL

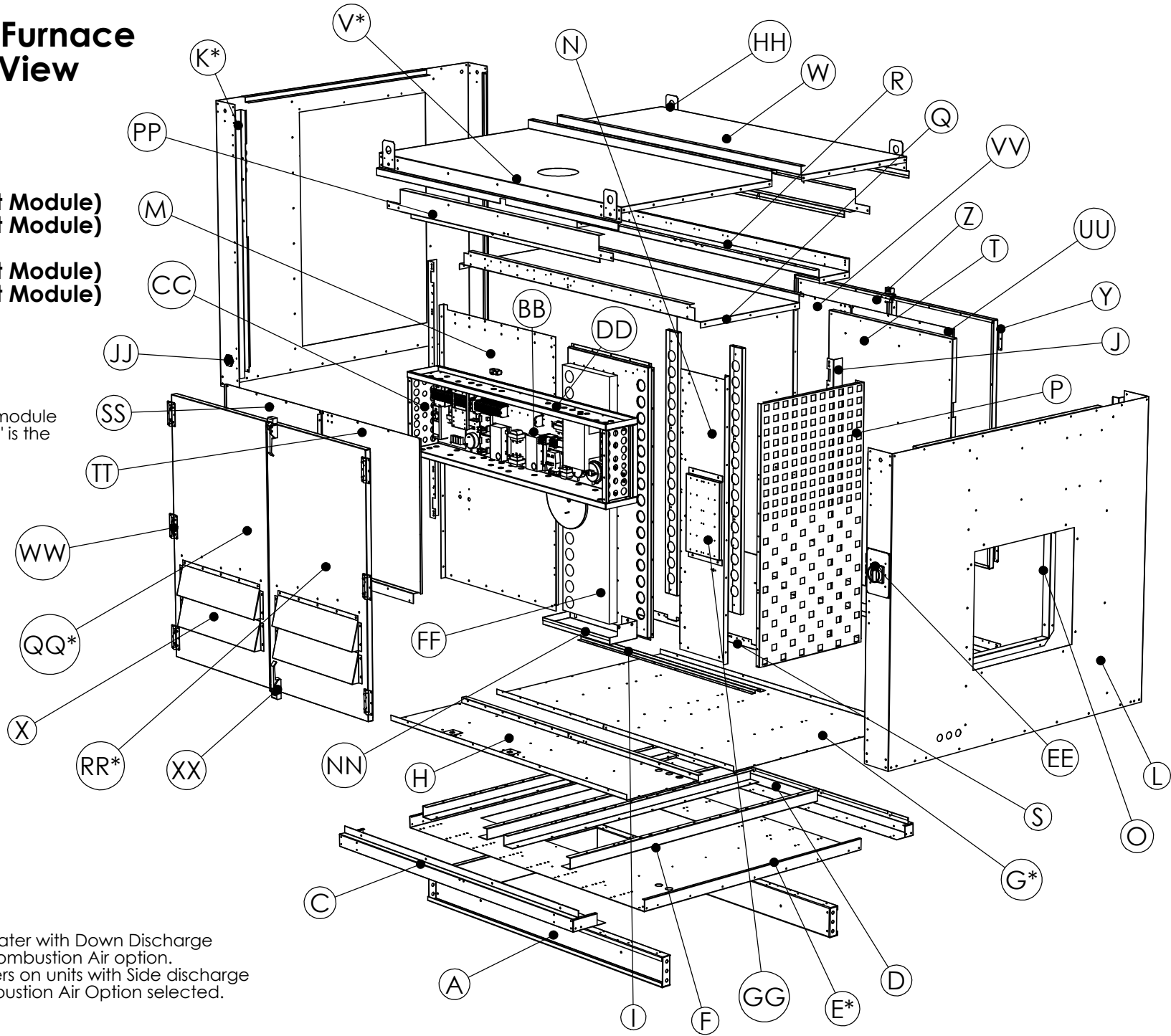
Size 3-4 IBT Single Furnace Hinged Exploded View

Heater Models:

- 3-IBT 400
- 3-IBT 1000-300-300-400 (1st Module)
- 3-IBT 1200-400-400-400 (1st Module)
- 4-IBT 400
- 4-IBT 1000-300-300-400 (1st Module)
- 4-IBT 1200-400-400-400 (1st Module)

Ordering Note: "1st Module" is the module closest to the blower. "2nd Module" is the module furthest from the blower.

Reference Table on the following page titled "Size 3-4 IBT Single Furnace Component Reference Table" for specific component part numbers.



*Note: Exploded view shown for heater with Down Discharge Configuration and no Dedicated Combustion Air option. Reference the Table for part numbers on units with Side discharge configuration and Dedicated Combustion Air Option selected.

Material: N/A
Blank Size: N/A
Weight: N/A

Part Number: N/A
MACOLA/AX Number: N/A
Drawing Name: IBT EXPLODED HINGED
Drawn By: AJK
Parent Assembly: IBT
Sheet: 6 of 10

Unless Otherwise Specified Dimensions are in Inches.

Standard Tolerances are:
Fractions: $\pm 1/16$
Decimal: $.XX \pm .05$
 $.XXX \pm .015$
Angles: $\pm 1^\circ$

CONFIDENTIAL

Size 3-4 IBT Single Furnace Hinged Component Reference Table

COMPONENT REFERENCE TABLE								
LABEL	Description	3-IBT 400	3-IBT 1000-300-300-400 (1st Module)	3-IBT 1200-400-400-400 (1st Module)	4-IBT 400	4-IBT 1000-300-300-400 (1st Module)	4-IBT 1200-400-400-400 (1st Module)	QNTY
A	Main Rail	IBT35MR	IBT35MR	IBT35MR	IBT35MR	IBT35MR	IBT35MR	2
C	Bottom Electrical Side	IBT34BSESH	IBT34BSESH	IBT34BSESH	IBT34BSESH	IBT34BSESH	IBT34BSESH	1
D	Bottom HE Side	IBT34BSHES	IBT34BSHES	IBT34BSHES	IBT34BSHES	IBT34BSHES	IBT34BSHES	1
E*	Bottom	IBT34BOTDD (Down Discharge) IBT34BOTSD (Side Discharge)	IBT34BOTSD	IBT34BOTSD	IBT34BOTDD (Down Discharge) IBT34BOTSD (Side Discharge)	IBT34BOTSD	IBT34BOTSD	1
F	Horizontal Support	IBT34HS	IBT34HS	IBT34HS	IBT34HS	IBT34HS	IBT34HS	4
G*	HE Bottom	IBT34HEBOTDD (Down Discharge) IBT34HEBOTSD (Side Discharge)	IBT34HEBOTSD	IBT34HEBOTDD (Down Discharge) IBT34HEBOTSD (Side Discharge)	IBT34HEBOTDD (Down Discharge) IBT34HEBOTSD (Side Discharge)	IBT34HEBOTSD	IBT34HEBOTSD	1
H	Cabinet Bottom	IBT15CBBT	IBT15CBBT	IBT15CBBT	IBT15CBBT	IBT15CBBT	IBT15CBBT	1
I	Hat Channel	IBT15HC	IBT15HC	IBT15HC	IBT15HC	IBT15HC	IBT15HC	1
J	Tie Down	IBT15TD	IBT15TD	IBT15TD	IBT15TD	IBT15TD	IBT15TD	3
K*	Back	IBT34BKDDH (Down Discharge) IBT34BKSDH (Side Discharge)	IBT34BKDH	IBT34BKDH	IBT34BKDDH (Down Discharge) IBT34BKSDH (Side Discharge)	IBT34BKDH	IBT34BKDH	1
L	Front	IBT3FTH	IBT3FTH	IBT3FTH	IBT4FTH	IBT4FTH	IBT4FTH	1
M	HE Left Flashing	IBT24HELFS	IBT24HELFS	IBT24HELFS	IBT24HELFS	IBT24HELFS	IBT24HELFS	1
N	HE Right Flashing	IBT24HERF	IBT24HERF	IBT24HERF	IBT24HERF	IBT24HERF	IBT24HERF	1
O	Blower Collar	B3G18COL	B3G18COL	B3G18COL	B4920COL	B4920COL	B4920COL	1
P	Air Distribution Screen	IBTHE400ADS	IBTHE400ADS	IBTHE400ADS	-	-	-	1
Q	HE Top Flashing	IBT24HE400TF	IBT24HE400TF	IBT24HE400TF	IBT24HE400TF	IBT24HE400TF	IBT24HE400TF	1
R	HE End Flashing	IBT14HEEF	IBT14HEEF	IBT14HEEF	IBT14HEEF	IBT14HEEF	IBT14HEEF	1
S	Inner Wall Bottom	IBT35WB	IBT35WB	IBT35WB	IBT35WB	IBT35WB	IBT35WB	1
T	Inner Wall	IBT35HE400W	IBT35HE400W	IBT35HE400W	IBT35HE400W	IBT35HE400W	IBT35HE400W	2
V*	Furnace Lid	IBT35FLID (Dedicated Combustion)	IBT35FLIDDC (Dedicated Combustion)	IBT35FLID (Dedicated Combustion)	IBT35FLIDDC (Dedicated Combustion)	IBT35FLID (Dedicated Combustion)	IBT35FLIDDC (Dedicated Combustion)	1
W	HE Lid	IBT34HELID	IBT34HELID	IBT34HELID	IBT34HELID	IBT34HELID	IBT34HELID	1
X	Louver Cover	MD15LCOVER	MD15LCOVER	MD15LCOVER	MD15LCOVER	MD15LCOVER	MD15LCOVER	4
Y	Left Door	IBT24LDH	IBT24LDH	IBT24LDH	IBT24LDH	IBT24LDH	IBT24LDH	1
Z	Right Door	IBT24RDH	IBT24RDH	IBT24RDH	IBT24RDH	IBT24RDH	IBT24RDH	1
BB	Electrical Back	IBT15ELBK	IBT15ELBK	IBT15ELBK	IBT15ELBK	IBT15ELBK	IBT15ELBK	1
CC	Electrical Side	IBT15ELSD	IBT15ELSD	IBT15ELSD	IBT15ELSD	IBT15ELSD	IBT15ELSD	2
DD	Electrical Top	IBT15ELTP	IBT15ELTP	IBT15ELTP	IBT15ELTP	IBT15ELTP	IBT15ELTP	2
EE	Rotary Disconnect	Sized Per Motor	Sized Per Motor	Sized Per Motor	Sized Per Motor	Sized Per Motor	Sized Per Motor	1
FF	400 MBH Furnace	CP 715	CP 715	CP 715	CP 715	CP 715	CP 715	1
GG	VFD Back	IBT15VFDB	IBT15VFDB	IBT15VFDB	IBT15VFDB	IBT15VFDB	IBT15VFDB	1
HH	Lifting Lug	MLFTL	MLFTL	MLFTL	MLFTL	MLFTL	MLFTL	4
JJ	Gas Inlet Quickseal	213	213	213	213	213	213	1
NN	Burner Drip Pan	IBT15BDPN	IBT15BDPN	IBT15BDPN	IBT15BDPN	IBT15BDPN	IBT15BDPN	1
PP	Top Door Support	IBT14TDSH	IBT14TDSH	IBT14TDSH	IBT14TDSH	IBT14TDSH	IBT14TDSH	2
QQ*	Left Door Louvered Hinged	IBT24LDLH IBT24LDLH w/IBT14LVSLH (Qty. 2) (Dedicated Combustion)	IBT24LDLH IBT24LDLH w/IBT14LVSLH (Qty. 2) (Dedicated Combustion)	IBT24LDLH IBT24LDLH w/IBT14LVSLH (Qty. 2) (Dedicated Combustion)	IBT24LDLH IBT24LDLH w/IBT14LVSLH (Qty. 2) (Dedicated Combustion)	IBT24LDLH IBT24LDLH w/IBT14LVSLH (Qty. 2) (Dedicated Combustion)	IBT24LDLH IBT24LDLH w/IBT14LVSLH (Qty. 2) (Dedicated Combustion)	1
RR*	Right Door Louvered Hinged	IBT24RDLH IBT24RDLH w/IBT14LVSLH (Qty. 2) (Dedicated Combustion)	IBT24RDLH IBT24RDLH w/IBT14LVSLH (Qty. 2) (Dedicated Combustion)	IBT24RDLH IBT24RDLH w/IBT14LVSLH (Qty. 2) (Dedicated Combustion)	IBT24RDLH IBT24RDLH w/IBT14LVSLH (Qty. 2) (Dedicated Combustion)	IBT24RDLH IBT24RDLH w/IBT14LVSLH (Qty. 2) (Dedicated Combustion)	IBT24RDLH IBT24RDLH w/IBT14LVSLH (Qty. 2) (Dedicated Combustion)	1
SS	Left Door Louvered Liner	IBT24LLDLH	IBT24LLDLH	IBT24LLDLH	IBT24LLDLH	IBT24LLDLH	IBT24LLDLH	1
TT	Right Door Louvered Liner	IBT24RLDLH	IBT24RLDLH	IBT24RLDLH	IBT24RLDLH	IBT24RLDLH	IBT24RLDLH	1
UU	Right Door Liner	IBT24LRDH	IBT24LRDH	IBT24LRDH	IBT24LRDH	IBT24LRDH	IBT24LRDH	1
VV	Left Door Liner	IBT24LLDH	IBT24LLDH	IBT24LLDH	IBT24LLDH	IBT24LLDH	IBT24LLDH	1
WW	Door Hinge	HG-OTA100	HG-OTA100	HG-OTA100	HG-OTA100	HG-OTA100	HG-OTA100	12
XX	Door Latch	A7-10-351-20	A7-10-351-20	A7-10-351-20	A7-10-351-20	A7-10-351-20	A7-10-351-20	4

*Note: Exploded view shown for heater with Down Discharge Configuration and no Dedicated Combustion Air option. Reference inside the Table for part numbers on units with Side discharge configuration and Dedicated Combustion Air Option selected.

Ordering Note: "1st Module" is the module closest to the blower. "2nd Module" is the module furthest from the blower.

Material: N/A
Blank Size: N/A
Weight: N/A

Part Number: N/A
MACOLA/AX Number: N/A
Drawing Name: IBT EXPLODED HINGED
Drawn By: IBT
Parent Assembly: AJK
Sheet: 7 of 10

Unless Otherwise Specified
Dimensions are in Inches.
Standard Tolerances are:
Fractions: ±1/16
Decimal: .XX ±.05
.XXX ±.015
Angles: ±1°

CONFIDENTIAL

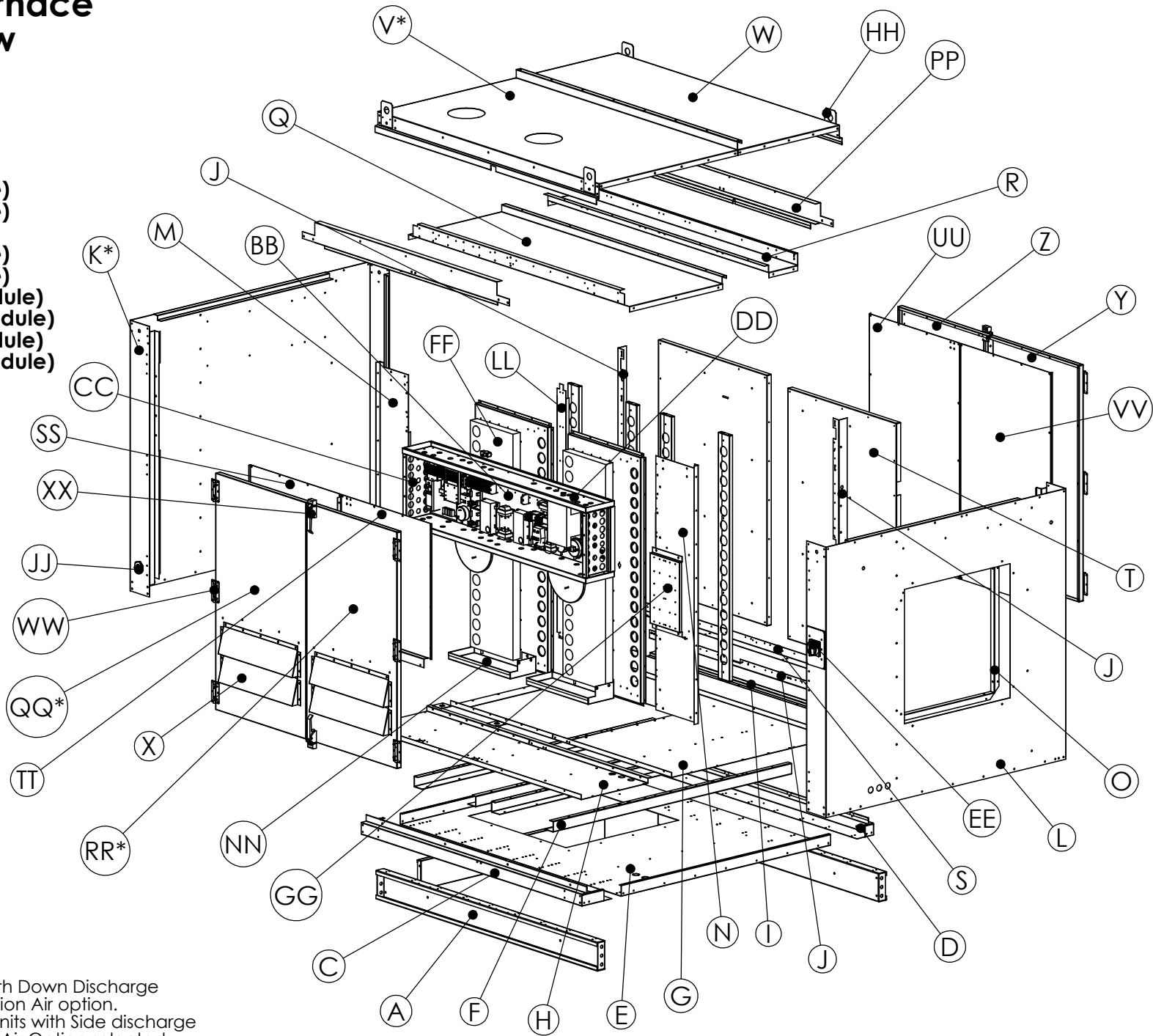
Size 3-4 IBT Double Furnace Hinged Exploded View

Heater Models:

- 3-IBT 600-300-300
- 3-IBT 800-400-400
- 3-IBT 1000-300-300-400 (2nd Module)
- 3-IBT 1200-400-400-400 (2nd Module)
- 4-IBT 800-400-400
- 4-IBT 1000-300-300-400 (2nd Module)
- 4-IBT 1200-400-400-400 (2nd Module)
- 4-IBT 1400-300-300-400-400 (1st Module)
- 4-IBT 1400-300-300-400-400 (2nd Module)
- 4-IBT 1600-400-400-400-400 (1st Module)
- 4-IBT 1600-400-400-400-400 (2nd Module)

Ordering Note: "1st Module" is the module closest to the blower. "2nd Module" is the module furthest from the blower.

Reference Table on the following page titled "Size 3-4 IBT Double Furnace Component Reference Table" for specific component part numbers.



*Note: Exploded view shown for heater with Down Discharge Configuration and no Dedicated Combustion Air option. Reference the Table for part numbers on units with Side discharge configuration and Dedicated Combustion Air Option selected.

Material: N/A	Part Number: N/A	Unless Otherwise Specified Dimensions are in Inches.
Blank Size: N/A	MACOLA/AX Number: N/A	
Weight: N/A	Drawing Name: IBT EXPLODED HINGED	
CONFIDENTIAL	Drawn By: AJK	
	Parent Assembly: IBT	
	Sheet: 8 of 10	
		Standard Tolerances are: Fractions: ±1/16 Decimal: .XX±.05 .XXX±.015 Angles: ±1°

Size 3-4 IBT Double Furnace Hinged Component Reference Table (Single Module)

Ordering Note: "1st Module" is the module closest to the blower. "2nd Module" is the module furthest from the blower.

COMPONENT REFERENCE TABLE					
LABEL	Description	3-IBT 600-300-300	3-IBT 800-400-400	4-IBT 800-400-400	QNTY
A	Main Rail	IBT35MR	IBT35MR	IBT35MR	2
C	Bottom Electrical Side	IBT34BSESH	IBT34BSESH	IBT34BSESH	1
D	Bottom HE Side	IBT34BSHESH	IBT34BSHESH	IBT34BSHESH	1
E*	Bottom	IBT34BOTDD (Down Discharge)	IBT34BOTDD (Down Discharge)	IBT34BOTDD (Down Discharge)	1
		IBT34BOTSD (Side Discharge)	IBT34BOTSD (Side Discharge)	IBT34BOTSD (Side Discharge)	
F	Horizontal Support	IBT34HS	IBT34HS	IBT34HS	4
G*	HE Bottom	IBT34HEBOTDD (Down Discharge)	IBT34HEBOTDD (Down Discharge)	IBT34HEBOTDD (Down Discharge)	1
		IBT34HEBOTSD (Side Discharge)	IBT34HEBOTSD (Side Discharge)	IBT34HEBOTSD (Side Discharge)	
H	Cabinet Bottom	IBT15CBBT	IBT15CBBT	IBT15CBBT	1
I	Hat Channel	IBT15HC	IBT15HC	IBT15HC	1
J	Tie Down	IBT15TD	IBT15TD	IBT15TD	3
K*	Back	IBT34BKDDH (Down Discharge)	IBT34BKDDH (Down Discharge)	IBT34BKDDH (Down Discharge)	1
		IBT34BKSDH (Side Discharge)	IBT34BKSDH (Side Discharge)	IBT34BKSDH (Side Discharge)	
L	Front	IBT34FH	IBT34FH	IBT34FH	1
M	HE Left Flashing	IBT24HELFD	IBT24HELFD	IBT24HELFD	1
N	HE Right Flashing	IBT24HERF	IBT24HERF	IBT24HERF	1
O	Blower Collar	B3G18COL	B3G18COL	B4920COL	1
P	Air Distribution Screen	IBTHE300ADS	IBTHE400ADS	-	2
Q	HE Top Flashing	IBT24HE300TF	IBT24HE400TF	IBT24HE400TF	1
R	HE End Flashing	IBT14HEEF	IBT14HEEF	IBT14HEEF	1
S	Inner Wall Bottom	IBT35IWB	IBT35IWB	IBT35IWB	1
T	Inner Wall	IBT35HE300IW	IBT35HE400IW	IBT35HE400IW	2
V*	Furnace Lid	IBT35DFLID	IBT35DFLID	IBT35DFLID	1
		IBT35DFLIDDC (Dedicated Combustion)	IBT35DFLIDDC (Dedicated Combustion)	IBT35DFLIDDC (Dedicated Combustion)	
W	HE Lid	IBT34HELID	IBT34HELID	IBT34HELID	1
X	Louver Cover	MD15LCOVER	MD15LCOVER	MD15LCOVER	4
Y	Left Door	IBT24LDH	IBT24LDH	IBT24LDH	1
Z	Right Door	IBT24RDH	IBT24RDH	IBT24RDH	1
BB	Electrical Back	IBT15ELBK	IBT15ELBK	IBT15ELBK	1
CC	Electrical Side	IBT15ELSD	IBT15ELSD	IBT15ELSD	2
DD	Electrical Top	IBT15ELTP	IBT15ELTP	IBT15ELTP	2
EE	Rotary Disconnect	Sized Per Motor	Sized Per Motor	Sized Per Motor	1
FF	MBH Furnace	CP712	CP715	CP712	2
GG	VPD Back	IBT15VFDDB	IBT15VFDDB	IBT15VFDDB	1
HH	Lifting Lug	MLIFTL	MLIFTL	MLIFTL	4
JJ	Gas Inlet Quickseal	213	213	213	1
LL	HE Divider	IBTHE300DIV	IBTHE400DIV	IBTHE400DIV	1
NN	Burner Drip Pan	IBT15BDPN	IBT15BDPN	IBT15BDPN	2
PP	Top Door Support	IBT14TDSH	IBT14TDSH	IBT14TDSH	2
QQ*	Left Door Louvered Hinged	IBT24LDLH	IBT24LDLH	IBT24LDLH	1
		IBT24LDLH w/IBT14LVSLH (Dedicated Combustion)	IBT24LDLH w/IBT14LVSLH (Dedicated Combustion)	IBT24LDLH w/IBT14LVSLH (Dedicated Combustion)	
RR*	Right Door Louvered Hinged	IBT24RDLH	IBT24RDLH	IBT24RDLH	1
		IBT24RDLH w/IBT14LVSLH (Dedicated Combustion)	IBT24RDLH w/IBT14LVSLH (Dedicated Combustion)	IBT24RDLH w/IBT14LVSLH (Dedicated Combustion)	
SS	Left Door Louvered Liner	IBT24LLDLH	IBT24LLDLH	IBT24LLDLH	1
TT	Right Door Louvered Liner	IBT24LRDLH	IBT24LRDLH	IBT24LRDLH	1
UU	Right Door Liner	IBT24LRDH	IBT24LRDH	IBT24LRDH	1
VV	Left Door Liner	IBT24LLDH	IBT24LLDH	IBT24LLDH	1
WW	Door Hinge	HG-OTA100	HG-OTA100	HG-OTA100	12
XX	Door Latch	A7-10-351-20	A7-10-351-20	A7-10-351-20	4

Material: N/A
Blank Size: N/A
Weight: N/A

Part Number: N/A
MACOLA/AX Number: N/A
Drawing Name: IBT EXPLODED HINGED
Drawn By: AJK
Parent Assembly: IBT
Sheet: 9 of 10

Unless Otherwise Specified
Dimensions are in Inches.
Standard Tolerances are:
Fractions: ±1/16
Decimal: .XX ±.05
.XXX ±.015
Angles: ±1°

CONFIDENTIAL

Size 3-4 IBT Double Furnace Hinged Component Reference Table (Double Module)

COMPONENT REFERENCE TABLE										
LABEL	Description	3-IBT 1000-300-300-400 (2nd Module)	3-IBT 1200-400-400-400 (2nd Module)	4-IBT 1000-300-300-400 (2nd Module)	4-IBT 1200-400-400-400 (2nd Module)	4-IBT 1400-300-300-400-400 (1st Module)	4-IBT 1400-300-300-400-400 (2nd Module)	4-IBT 1600-400-400-400-400 (1st Module)	4-IBT 1600-400-400-400-400 (2nd Module)	QNTY
A	Main Rail	IBT35MR	IBT35MR	IBT35MR	IBT35MR	IBT35MR	IBT35MR	IBT35MR	IBT35MR	2
C	Bottom Electrical Side	IBT34BSESH	IBT34BSESH	IBT34BSESH	IBT34BSESH	IBT34BSESH	IBT34BSESH	IBT34BSESH	IBT34BSESH	1
D	Bottom HE Side	IBT34BSHESH	IBT34BSHESH	IBT34BSHESH	IBT34BSHESH	IBT34BSHESH	IBT34BSHESH	IBT34BSHESH	IBT34BSHESH	1
E*	Bottom	IBT34BOTDD (Down Discharge)	IBT34BOTDD (Down Discharge)	IBT34BOTDD (Down Discharge)	IBT34BOTDD (Down Discharge)	IBT34BOTSD	IBT34BOTDD (Down Discharge)	IBT34BOTSD	IBT34BOTDD (Down Discharge)	1
		IBT34BOTSD (Side Discharge)	IBT34BOTSD (Side Discharge)	IBT34BOTSD (Side Discharge)	IBT34BOTSD (Side Discharge)		IBT34BOTSD (Side Discharge)		IBT34BOTSD (Side Discharge)	
F	Horizontal Support	IBT34HS	IBT34HS	IBT34HS	IBT34HS	IBT34HS	IBT34HS	IBT34HS	IBT34HS	4
G*	HE Bottom	IBT34HEBOTDD (Down Discharge)	IBT34HEBOTDD (Down Discharge)	IBT34HEBOTDD (Down Discharge)	IBT34HEBOTDD (Down Discharge)	IBT34HEBOTSD	IBT34HEBOTDD (Down Discharge)	IBT34HEBOTSD	IBT34HEBOTDD (Down Discharge)	1
		IBT34HEBOTSD (Side Discharge)	IBT34HEBOTSD (Side Discharge)	IBT34HEBOTSD (Side Discharge)	IBT34HEBOTSD (Side Discharge)		IBT34HEBOTSD (Side Discharge)			
H	Cabinet Bottom	IBT15CBBT	IBT15CBBT	IBT15CBBT	IBT15CBBT	IBT15CBBT	IBT15CBBT	IBT15CBBT	IBT15CBBT	1
I	Hat Channel	IBT15HC	IBT15HC	IBT15HC	IBT15HC	IBT15HC	IBT15HC	IBT15HC	IBT15HC	1
J	Tie Down	IBT15TD	IBT15TD	IBT15TD	IBT15TD	IBT15TD	IBT15TD	IBT15TD	IBT15TD	3
K*	Back	IBT34BKDDH (Down Discharge)	IBT34BKDDH (Down Discharge)	IBT34BKDDH (Down Discharge)	IBT34BKDDH (Down Discharge)	IBT34BKDH	IBT34BKDDH (Down Discharge)	IBT34BKDH	IBT34BKDDH (Down Discharge)	1
		IBT34BKSDH (Side Discharge)	IBT34BKSDH (Side Discharge)	IBT34BKSDH (Side Discharge)	IBT34BKSDH (Side Discharge)		IBT34BKSDH (Side Discharge)			
L	Front	IBT34HE300FTDH	IBT34HE400FTDH	IBT34HE300FTDH	IBT34HE400FTDH	IBT4FTH	IBT34HE300FTDH	IBT4FTH	IBT34HE400FTDH	1
M	HE Left Flashing	IBT24HELFD	IBT24HELFD	IBT24HELFD	IBT24HELFD	IBT24HELFD	IBT24HELFD	IBT24HELFD	IBT24HELFD	1
N	HE Right Flashing	IBT24HERF	IBT24HERF	IBT24HERF	IBT24HERF	IBT24HERF	IBT24HERF	IBT24HERF	IBT24HERF	1
O	Blower Collar	-	-	-	-	B4920COL	-	B4920COL	-	1
P	Air Distribution Screen	IBTHE300ADS	IBTHE400ADS	-	-	-	-	-	-	2
Q	HE Top Flashing	IBT24HE300TF	IBT24HE400TF	IBT24HE300TF	IBT24HE400TF	IBT24HE300TF	IBT24HE300TF	IBT24HE400TF	IBT24HE400TF	1
R	HE End Flashing	IBT14HEEF	IBT14HEEF	IBT14HEEF	IBT14HEEF	IBT14HEEF	IBT14HEEF	IBT14HEEF	IBT14HEEF	1
S	Inner Wall Bottom	IBT35WB	IBT35WB	IBT35WB	IBT35WB	IBT35WB	IBT35WB	IBT35WB	IBT35WB	1
T	Inner Wall	IBT35HE300W	IBT35HE400W	IBT35HE300W	IBT35HE400W	IBT35HE400W	IBT35HE300W	IBT35HE400W	IBT35HE400W	2
V*	Furnace Lid	IBT35DFLDDC (Dedicated Combustion)	IBT35DFLDDC (Dedicated Combustion)	IBT35DFLDDC (Dedicated Combustion)	IBT35DFLDDC (Dedicated Combustion)	IBT35DFLDDC (Dedicated Combustion)	IBT35DFLDDC (Dedicated Combustion)	IBT35DFLDDC (Dedicated Combustion)	IBT35DFLDDC (Dedicated Combustion)	1
		IBT35DFLDDC (Dedicated Combustion)	IBT35DFLDDC (Dedicated Combustion)	IBT35DFLDDC (Dedicated Combustion)	IBT35DFLDDC (Dedicated Combustion)	IBT35DFLDDC (Dedicated Combustion)	IBT35DFLDDC (Dedicated Combustion)	IBT35DFLDDC (Dedicated Combustion)	IBT35DFLDDC (Dedicated Combustion)	
W	HE Lid	IBT34HELD	IBT34HELD	IBT34HELD	IBT34HELD	IBT34HELD	IBT34HELD	IBT34HELD	IBT34HELD	1
X	Louver Cover	MD15LCOVER	MD15LCOVER	MD15LCOVER	MD15LCOVER	MD15LCOVER	MD15LCOVER	MD15LCOVER	MD15LCOVER	4
Y	Left Door	IBT24LDH	IBT24LDH	IBT24LDH	IBT24LDH	IBT24LDH	IBT24LDH	IBT24LDH	IBT24LDH	1
Z	Right Door	IBT24RDH	IBT24RDH	IBT24RDH	IBT24RDH	IBT24RDH	IBT24RDH	IBT24RDH	IBT24RDH	1
BB	Electrical Back	IBT15ELBK	IBT15ELBK	IBT15ELBK	IBT15ELBK	IBT15ELBK	IBT15ELBK	IBT15ELBK	IBT15ELBK	1
CC	Electrical Side	IBT15ELSD	IBT15ELSD	IBT15ELSD	IBT15ELSD	IBT15ELSD	IBT15ELSD	IBT15ELSD	IBT15ELSD	2
DD	Electrical Top	IBT15ELTP	IBT15ELTP	IBT15ELTP	IBT15ELTP	IBT15ELTP	IBT15ELTP	IBT15ELTP	IBT15ELTP	2
EE	Rotary Disconnect	Sized Per Motor	Sized Per Motor	Sized Per Motor	Sized Per Motor	Sized Per Motor	Sized Per Motor	Sized Per Motor	Sized Per Motor	1
FF	MBH Furnace	CP712	CP715	CP712	CP715	CP715	CP712	CP715	CP715	2
GG	VFD Back	IBT15VFD8	IBT15VFD8	IBT15VFD8	IBT15VFD8	IBT15VFD8	IBT15VFD8	IBT15VFD8	IBT15VFD8	1
HH	Lifting Lug	MLFTL	MLFTL	MLFTL	MLFTL	MLFTL	MLFTL	MLFTL	MLFTL	4
JJ	Gas Inlet Quickseal	213	213	213	213	213	213	213	213	1
LL	HE Divider	IBTHE300DIV	IBTHE400DIV	IBTHE300DIV	IBTHE400DIV	IBTHE400DIV	IBTHE300DIV	IBTHE400DIV	IBTHE400DIV	1
NN	Burner Drip Pan	IBT15BDPN	IBT15BDPN	IBT15BDPN	IBT15BDPN	IBT15BDPN	IBT15BDPN	IBT15BDPN	IBT15BDPN	1
PP	Top Door Support	IBT14TDSH	IBT14TDSH	IBT14TDSH	IBT14TDSH	IBT14TDSH	IBT14TDSH	IBT14TDSH	IBT14TDSH	2
QQ*	Left Door Louvered Hinged	IBT24LDLH	IBT24LDLH	IBT24LDLH	IBT24LDLH	IBT24LDLH	IBT24LDLH	IBT24LDLH	IBT24LDLH	1
		IBT24LDLH w/IBT14LVS LH (Dedicated Combustion)	IBT24LDLH w/IBT14LVS LH (Dedicated Combustion)	IBT24LDLH w/IBT14LVS LH (Dedicated Combustion)	IBT24LDLH w/IBT14LVS LH (Dedicated Combustion)	IBT24LDLH w/IBT14LVS LH (Dedicated Combustion)	IBT24LDLH w/IBT14LVS LH (Dedicated Combustion)	IBT24LDLH w/IBT14LVS LH (Dedicated Combustion)	IBT24LDLH w/IBT14LVS LH (Dedicated Combustion)	
RR*	Right Door Louvered Hinged	IBT24RDLH	IBT24RDLH	IBT24RDLH	IBT24RDLH	IBT24RDLH	IBT24RDLH	IBT24RDLH	IBT24RDLH	1
		IBT24RDLH w/IBT14LVS LH (Dedicated Combustion)	IBT24RDLH w/IBT14LVS LH (Dedicated Combustion)	IBT24RDLH w/IBT14LVS LH (Dedicated Combustion)	IBT24RDLH w/IBT14LVS LH (Dedicated Combustion)	IBT24RDLH w/IBT14LVS LH (Dedicated Combustion)	IBT24RDLH w/IBT14LVS LH (Dedicated Combustion)	IBT24RDLH w/IBT14LVS LH (Dedicated Combustion)	IBT24RDLH w/IBT14LVS LH (Dedicated Combustion)	
SS	Left Door Louvered Liner	IBT24LDLH	IBT24LDLH	IBT24LDLH	IBT24LDLH	IBT24LDLH	IBT24LDLH	IBT24LDLH	IBT24LDLH	1
TT	Right Door Louvered Liner	IBT24RDLH	IBT24RDLH	IBT24RDLH	IBT24RDLH	IBT24RDLH	IBT24RDLH	IBT24RDLH	IBT24RDLH	1
UU	Right Door Liner	IBT24LRDH	IBT24LRDH	IBT24LRDH	IBT24LRDH	IBT24LRDH	IBT24LRDH	IBT24LRDH	IBT24LRDH	1
VV	Left Door Liner	IBT24LLDH	IBT24LLDH	IBT24LLDH	IBT24LLDH	IBT24LLDH	IBT24LLDH	IBT24LLDH	IBT24LLDH	1
WW	Door Hinge	HG-OTA100	HG-OTA100	HG-OTA100	HG-OTA100	HG-OTA100	HG-OTA100	HG-OTA100	HG-OTA100	4
XX	Door Latch	A7-10-351-20	A7-10-351-20	A7-10-351-20	A7-10-351-20	A7-10-351-20	A7-10-351-20	A7-10-351-20	A7-10-351-20	12

*Note: Exploded view shown for heater with Down Discharge Configuration and no Dedicated Combustion Air option. Reference inside the Table for part numbers on units with Side discharge configuration and Dedicated Combustion Air Option selected.

Ordering Note: "1st Module" is the module closest to the blower. "2nd Module" is the module furthest from the blower.

Material: N/A
Blank Size: N/A
Weight: N/A

CONFIDENTIAL

Part Number: N/A
MACOLA/AX Number: N/A
Drawing Name: IBT EXPLODED HINGED
Drawn By: AJK
Parent Assembly: IBT
Sheet: 10 of 10

Unless Otherwise Specified
Dimensions are in Inches.
Standard Tolerances are:
Fractions: ±1/16
Decimal: .XX ±.05
.XXX ±.015
Angles: ±1°