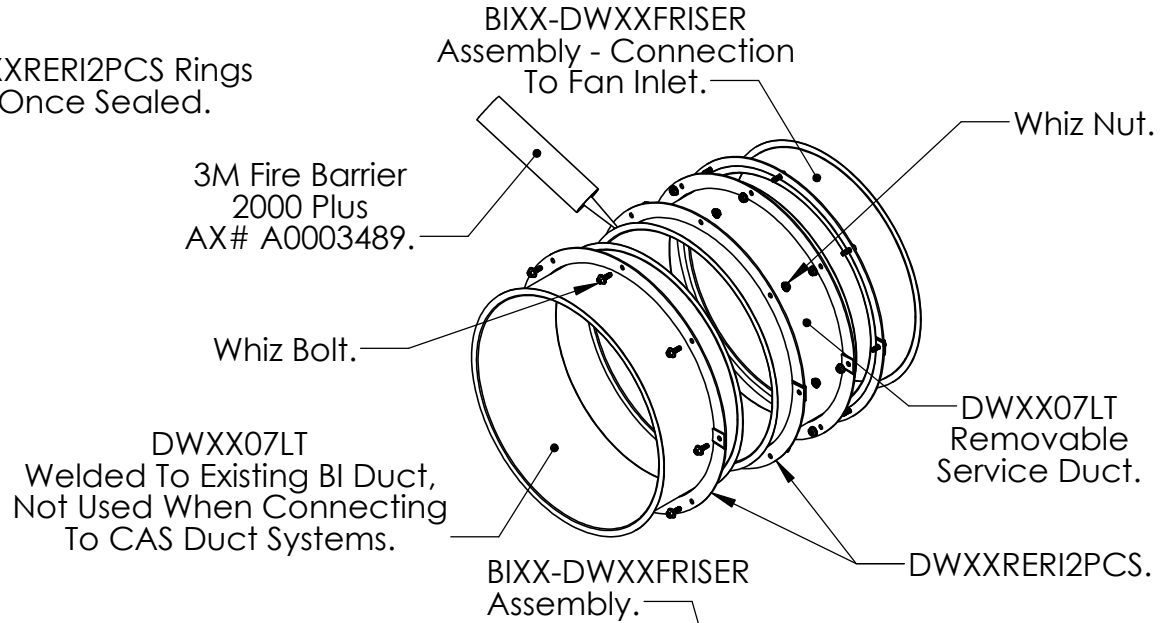
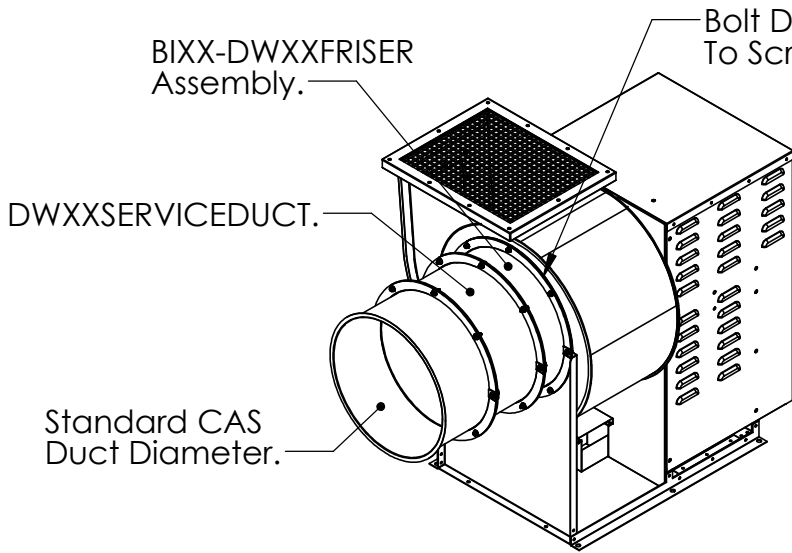
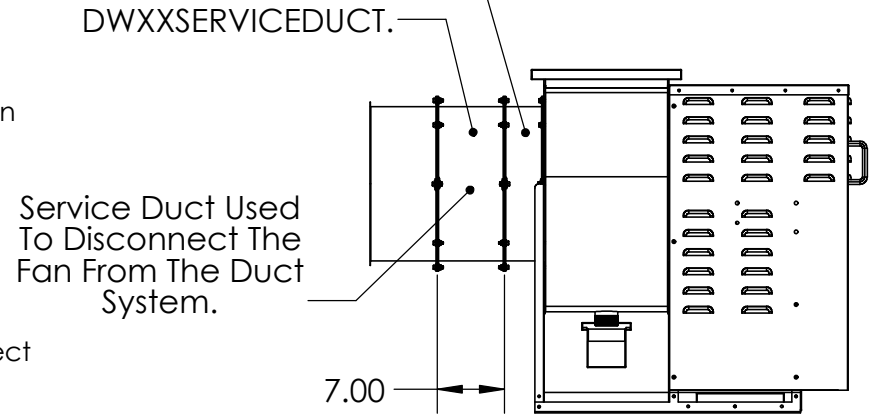


Inlet Service Duct Option - Up Blast Utility Set



Service Duct Instructions:

1. Service duct kits come with (2) 7" long duct sections, (8) riser rings, and installation hardware.
2. Service duct kits allow a quick disconnect between the fan inlet and the duct system.
3. Service duct flanges need to be sealed using 3M Fire Barrier 2000 Plus only.
4. Once sealed the service duct is secured using bolt together riser rings.
5. The first 7" long duct section can be welded directly to existing duct systems.
6. If connecting to CAS duct the first 7" long duct section can be discarded, connect the service duct directly to CAS listed duct.



Inlet Service Duct Connections

Fan Size	Duct Diameter	Inlet Connection Assembly	Duct LT	Quantity	Riser Rings	Quantity	Whiz Bolt	Quantity	Whiz Nut	Quantity
11	12"	12SERVICEDUCTKIT	DW1207LT	2	A0028896 / DW12RERI2PCS	8	A0023684 / 1/4-20 X 1	16	A0005690 / 1/4-20	16
13	14"	14SERVICEDUCTKIT	DW1407LT	2	A0028897 / DW14RERI2PCS	8	A0023684 / 1/4-20 X 1	16	A0005690 / 1/4-20	16
15	16"	16SERVICEDUCTKIT	DW1607LT	2	A0028898 / DW16RERI2PCS	8	A0023684 / 1/4-20 X 1	16	A0005690 / 1/4-20	16
18	20"	20SERVICEDUCTKIT	DW2007LT	2	A0028900 / DW20RERI2PCS	8	A0023684 / 1/4-20 X 1	16	A0005690 / 1/4-20	16
20	20"	20SERVICEDUCTKIT	DW2007LT	2	A0028900 / DW20RERI2PCS	8	A0023684 / 1/4-20 X 1	16	A0005690 / 1/4-20	16
24	24"	24SERVICEDUCTKIT	DW2407LT	2	A0028903 / DW24RERI2PCS	8	A0023684 / 1/4-20 X 1	16	A0005690 / 1/4-20	16
30	24"	24SERVICEDUCTKIT	DW2407LT	2	A0028903 / DW24RERI2PCS	8	A0023684 / 1/4-20 X 1	16	A0005690 / 1/4-20	16
36	30"	30SERVICEDUCTKIT	DW3007LT	2	A0030878 / DW30RERI2PCS	8	A0024297 / 3/8-16 X 1	16	A0005688 / 3/8-16	16