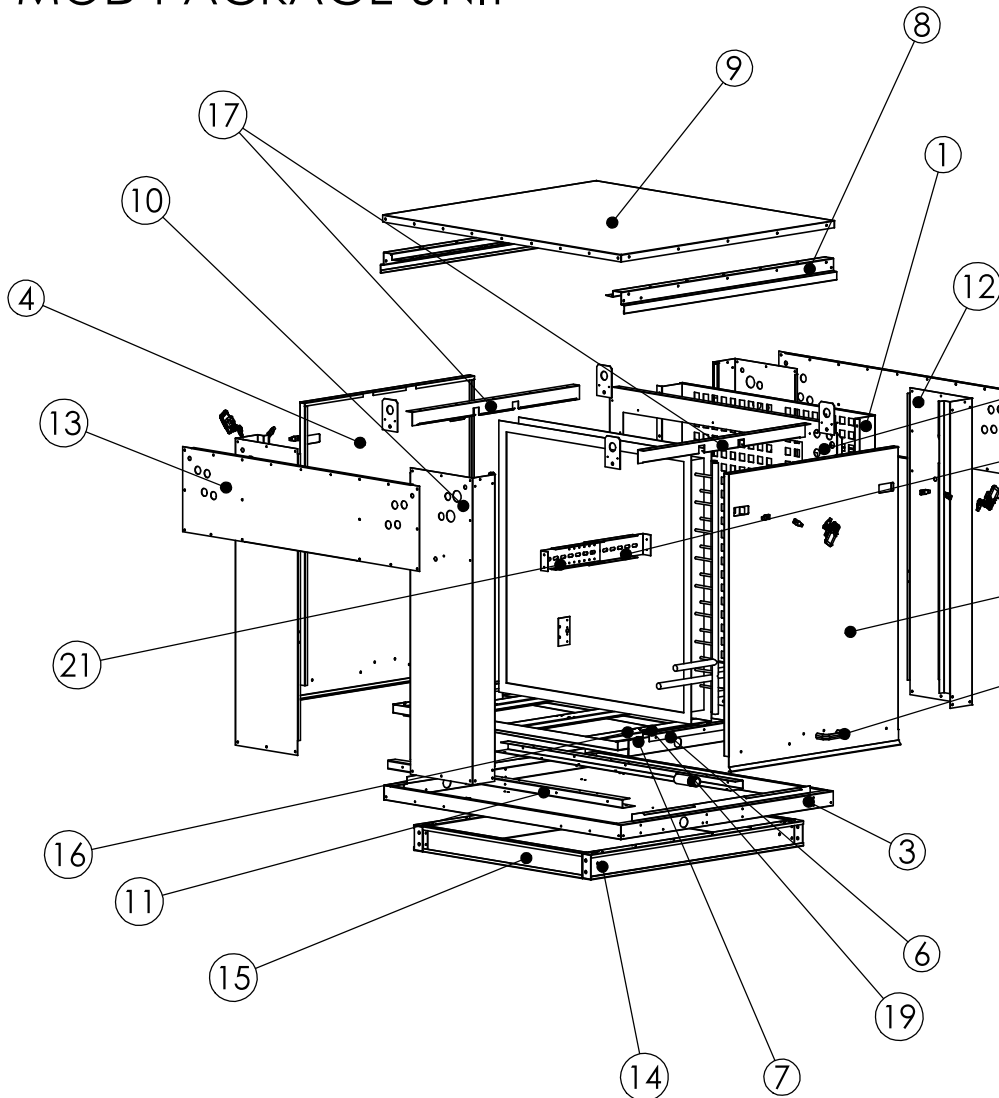


MPU
EXPLODED
VIEW
3/5/2018

MOD PACKAGE UNIT



Revision History				
#	Description	Revised by	ECN #	Date
7	Added ME15SMFLAT	JJH	2707	3/10/14
8	Added TXV Support Bracket	DAM	2911	11/2/16
9	Replaced Drain Pan	BWT	3007	3/6/18

MPU COMPONENT INFO

MPU SIZE	Coil Part Number	Grommet 1	Grommet 2	TXV1	TXV2	TXV3	Filter/Dryer
MPU1-2	2EZ0801M 30.0x27.0	63595K31	63595K34	ERZE-2-GA-3/8x1/2x1/4		N/A	083S
MPU1-3	2EZ1001M 30.0x27.0	63595K31	63595K34	ERZE-3-GA-3/8x1/2x1/4	N/A	N/A	083S
MPU1-5	2EZ0602M 30.0x27.0	63595K31 (2)	63595K34 (2)	ERZE-2-GA-3/8x1/2x1/4	ERZE-3-GA-3/8x1/2x1/4	N/A	083S (2)
MPU1-5E*	2EZ0902M 30.0x27.0	63595K31 (2)	63595K34 (2)	ERZE-3-GA-3/8x1/2x1/4	ERZE-3-GA-3/8x1/2x1/4	N/A	083S (2)
MPU2-5	3EZ1101R 36.0x36.0	63595K31	63595K34	ERZE-4-GA-3/8x1/2x1/4	N/A	N/A	083S
MPU2-7,5	3EZ1101C 36.0x36.0	63595K31 (2)	63595K34 (2)	ERZE-3-GA-3/8x1/2x1/4	ERZE-5-GA-3/8x1/2x1/4	N/A	083S (2)
MPU2-8	3EZ1101D 36.0x36.0	63595K31 (2)	63595K34 (2)	ERZE-3-GA-3/8x1/2x1/4	ERZE-5-GA-3/8x1/2x1/4	N/A	083S (2)
MPU2-10	3EZ0802B 36.0x36.0	63595K31 (2)	63595K34 (2)	ERZE-3-GA-3/8x1/2x1/4	ERZE-5-GA-3/8x1/2x1/4	N/A	083S (2)
MPU2-10	3EZ0602M 43.0x42.0	63595K31 (2)	63595K34 (2)	ERZE-3-GA-3/8x1/2x1/4	ERZE-5-GA-3/8x1/2x1/4	N/A	083S (2)
MPU2-15	3EZ1002B 43.0x42.0	63595K31 (3)	63595K34 (3)	ERZE-3-GA-3/8x1/2x1/4	ERZE-5-GA-3/8x1/2x1/4	ERZE-6-GA-3/8x1/2x1/4	083S (3)
MPU4-10	4EZ0801C 52.5x48.0	63595K31 (2)	63595K34 (2)	ERZE-5-GA-3/8x1/2x1/4	ERZE-5-GA-3/8x1/2x1/4	N/A	083S (2)
MPU4-15	4EZ0602B 52.5x48.0	63595K31 (3)	63595K34 (3)	ERZE-5-GA-3/8x1/2x1/4	ERZE-5-GA-3/8x1/2x1/4	ERZE-6-GA-3/8x1/2x1/4	083S (3)

LATCH 4 PLACES
8 PLACES ON SIZE 3

MPU-AC COMPONENT INFO

MPU SIZE	MPU-AC Coil Part Number	Grommet 1	Grommet 2	TXV1	TXV2	TXV3	Filter/Dryer
MPU1-2AC	2EY1102E - 12.00 x 27.00	63595K31	63595K34	ERZE-2-GA-3/8x1/2x1/4	N/A	N/A	083S
MPU1-3AC	2EY1402E - 12.00 x 27.00	63595K31	63595K34	ERZE-3-GA-3/8x1/2x1/4	N/A	N/A	083S
MPU1-5AC	2EY1403E - 12.00 x 27.00	63595K31 (2)	63595K34 (2)	ERZE-2-GA-3/8x1/2x1/4	ERZE-3-GA-3/8x1/2x1/4	N/A	083S (2)
MPU1-5E-AC*	2EY1403E - 12.00 x 27.00	63595K31 (2)	63595K34 (2)	ERZE-3-GA-3/8x1/2x1/4	ERZE-5-GA-3/8x1/2x1/4	N/A	083S (2)
MPU2-5AC	3EY1102T - 20.00 x 36.00	63595K31	63595K34	ERZE-5-GA-3/8x1/2x1/4	N/A	N/A	083S
MPU2-7,5AC	3EY1402T - 20.00 x 36.00	63595K31 (2)	63595K34 (2)	ERZE-3-GA-3/8x1/2x1/4	ERZE-5-GA-3/8x1/2x1/4	N/A	083S (2)
MPU2-8AC	3EY1302T - 20.00 x 36.00	63595K31 (2)	63595K34 (2)	ERZE-3-GA-3/8x1/2x1/4	ERZE-5-GA-3/8x1/2x1/4	N/A	083S (2)
MPU2-10AC	3EY1203T - 20.00 x 36.00	63595K31 (2)	63595K34 (2)	ERZE-5-GA-3/8x1/2x1/4	ERZE-5-GA-3/8x1/2x1/4	N/A	083S (2)
MPU3-10AC	3EZ1203T - 24.00 x42.00	63595K31 (2)	63595K34 (2)	ERZE-5-GA-3/8x1/2x1/4	ERZE-5-GA-3/8x1/2x1/4	N/A	083S (2)
MPU3-15AC	3EY1403T - 30.00 x42.00	63595K31 (3)	63595K34 (3)	ERZE-5-GA-3/8x1/2x1/4	ERZE-5-GA-3/8x1/2x1/4	ERZE-6-GA-3/8x1/2x1/4	083S (3)

Item #	DESCRIPTION	MPU1	MPU2	MPU3	MPU4
1	AIR DISTRIBUTION SCREEN	CC1AIDIS	CC2AIDIS	CC3AIDIS	CC4AIDIS
2	BLANK PLATE	CC1BLANKCV	CC2BLANKCV	CC3BLANKCV	CC4BLANKCV
3	BOTTOM	CC1BOTTOM	CC2BOTTOM	CC3BOTTOM	CC4BOTTOM
4	DOOR	CC1DOORCV	CC2DOORCV	CC3DOORCV	CC4DOORCV
5	DOOR WITH DRAIN	CC1DOORDCV	CC2DOORDCV	CC3DOORDCV	CC4DOORDCV
6	FULL LENGTH DOOR HOOK		MCC13HOOKFL(2)		MCC45HOOKFL(2)
7	DRAIN PAN	CC1DRPANCV	CC2DRPANCV	CC3DRPANCV	CC4DRPANCV
8	DRIP RAIL		MD13DR (2)		MD45DR(2)
9	LID	CC1LID	CC2LID	CC3LID	CC4LID
10	LEFT FRONT POST	CC1LFRP(2)	CC2LFRP(2)	CC3LFRP(2)	CC4LFRP(2)
11	PAN SUPPORT	CC1PANSP (2)	CC2PANSP (2)	CC3PANSP (2)	CC4PANSP (2)
12	RIGHT FRONT POST	CC1RFRP (2)	CC2RFRP (2)	CC3RFRP (2)	CC4RFRP (2)
13	TOP EXTENSION	CC1TPXT (2)	CC2TPXT (2)	CC3TPXT (2)	CC4IDEX (2)
14	MAIN RAIL	MD12MR (2)		D3MNR (2)	MD45MR (2)
15	END FLASHING	M1EFLS (2)	M2EFLS (2)	M3EFLS (2)	M4EFLS (2)
16	COIL SUPPORT			MCC15COS (3)	
17	FULL LENGTH DOOR SUPPORT		MCC13DSUPFL(2)		MCC45DSUPFL(2)
18	DOOR HANDLE		P-50-1010 (2)		
19	FLOAT SWITCH SUPPORT	ME15SMFLAT	ME15SMFLAT	ME15SMFLAT	ME15SMFLAT
20	OUTSIDE BRACKET COVER			MCC150BKTC	
21	INSIDE BRACKET COVER				MCC15IBKTC

One part is used unless otherwise noted.

NOTES:

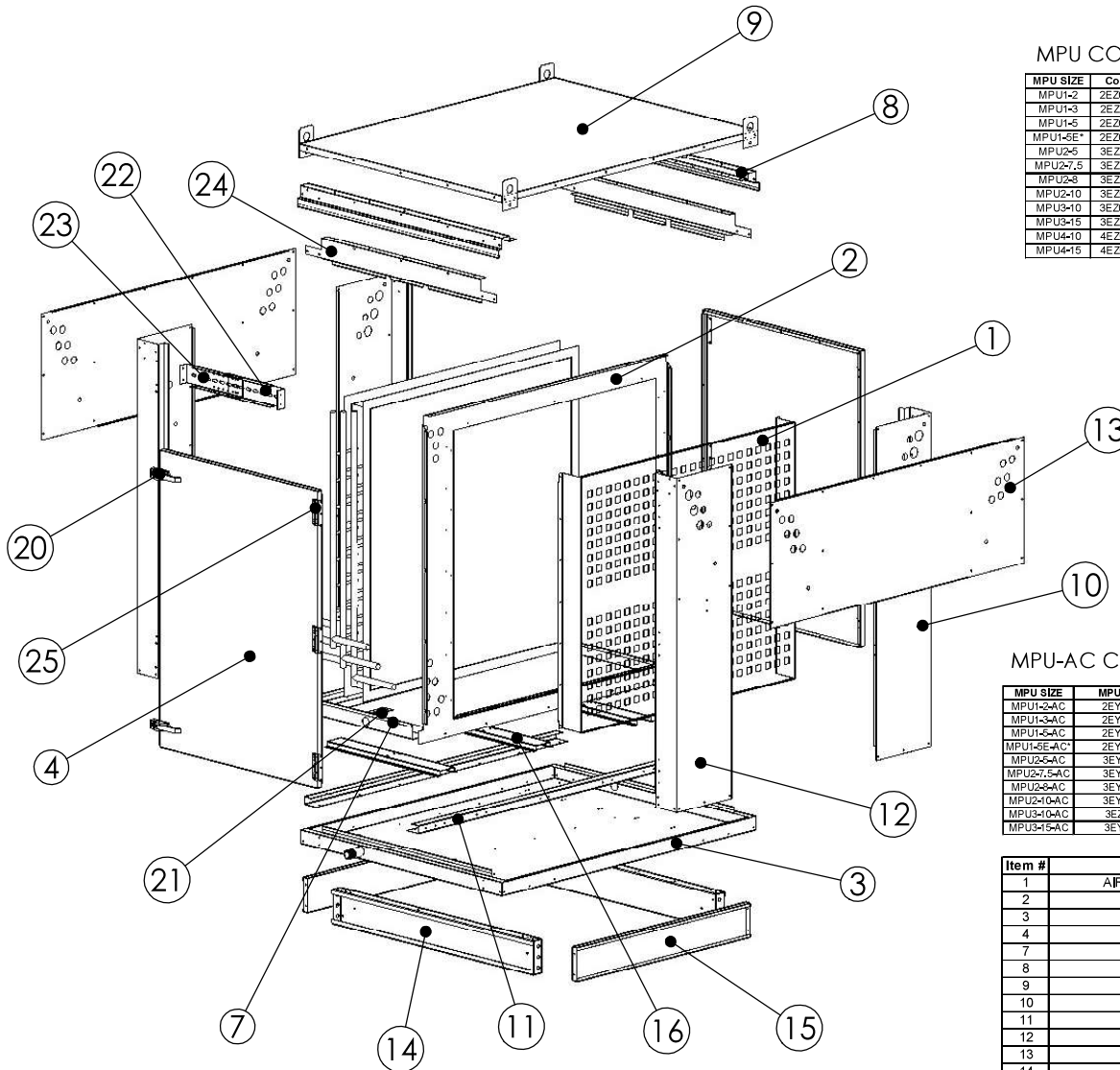
ENTIRE CABINET GETS INSULATED

*MPU1-5 and MPU1-5-AC Coils have a 3/4 and 7/8 inch suction connection.

*MPU1-5E and MPU1-5E-AC Coils have 3/4 inch suction connections on every line.

MOD PACKAGE UNIT HINGED

Revision History				
#	Description	Revised by	ECN#	Date
0	Hinged Door Configuration	PEM	2943	12/8/17
1	Replaced Drain Pan	BWT	3007	3/6/18



MPU COMPONENT INFO

MPU SIZE	Coil Part Number	Grommet 1	Grommet 2	TXV1	TXV2	TXV3	Filter/Dryer
MPU1-2	2E20801M 30.0x27.0	63595K31	63595K34	ERZE-2-GA-3/8x1/2x1/4	N/A	N/A	083S
MPU1-3	2E21001N 30.0x27.0	63595K31	63595K34	ERZE-3-GA-3/8x1/2x1/4	N/A	N/A	083S
MPU1-5	2E20902M 30.0x27.0	63595K31 (2)	63595K34 (2)	ERZE-2-GA-3/8x1/2x1/4	ERZE-3-GA-3/8x1/2x1/4	N/A	083S (2)
MPU1-5E*	2E20902M 30.0x27.0	63595K31 (2)	63595K34 (2)	ERZE-3-GA-3/8x1/2x1/4	ERZE-3-GA-3/8x1/2x1/4	N/A	083S (2)
MPU2-5	3E21001R 36.0x36.0	63595K31	63595K34	ERZE-4-GA-3/8x1/2x1/4	N/A	N/A	083S
MPU2-7,5	3E21101C 36.0x36.0	63595K31 (2)	63595K34 (2)	ERZE-3-GA-3/8x1/2x1/4	ERZE-5-GA-3/8x1/2x1/4	N/A	083S (2)
MPU2-8	3E21101D 36.0x36.0	63595K31 (2)	63595K34 (2)	ERZE-3-GA-3/8x1/2x1/4	ERZE-5-GA-3/8x1/2x1/4	N/A	083S (2)
MPU2-10	3E20802B 36.0x36.0	63595K31 (2)	63595K34 (2)	ERZE-5-GA-3/8x1/2x1/4	ERZE-5-GA-3/8x1/2x1/4	N/A	083S (2)
MPU3-10	3E20602M 43.0x42.0	63595K31 (2)	63595K34 (2)	ERZE-5-GA-3/8x1/2x1/4	ERZE-5-GA-3/8x1/2x1/4	N/A	083S (2)
MPU3-15	3E21002B 43.0x42.0	63595K31 (3)	63595K34 (3)	ERZE-5-GA-3/8x1/2x1/4	ERZE-5-GA-3/8x1/2x1/4	ERZE-6-GA-3/8x1/2x1/4	083S (3)
MPU4-10	4E20801C 52.5x48.0	63595K31 (2)	63595K34 (2)	ERZE-5-GA-3/8x1/2x1/4	ERZE-5-GA-3/8x1/2x1/4	N/A	083S (2)
MPU4-15	4E20602B 52.5x48.0	63595K31 (3)	63595K34 (3)	ERZE-5-GA-3/8x1/2x1/4	ERZE-5-GA-3/8x1/2x1/4	ERZE-6-GA-3/8x1/2x1/4	083S (3)

MPU-AC COMPONENT INFO

MPU SIZE	MPU-AC Coil Part Number	Grommet 1	Grommet 2	TXV1	TXV2	TXV3	Filter/Dryer
MPU1-2-AC	2EY1102E - 12.00 x 27.00	63595K31	63595K34	ERZE-2-GA-3/8x1/2x1/4	N/A	N/A	083S
MPU1-3-AC	2EY1402E - 12.00 x 27.00	63595K31	63595K34	ERZE-3-GA-3/8x1/2x1/4	N/A	N/A	083S
MPU1-5-AC	2EY1403E - 12.00 x 27.00	63595K31 (2)	63595K34 (2)	ERZE-2-GA-3/8x1/2x1/4	ERZE-3-GA-3/8x1/2x1/4	N/A	083S (2)
MPU1-5E-AC	2EY1403E - 12.00 x 27.00	63595K31 (2)	63595K34 (2)	ERZE-3-GA-3/8x1/2x1/4	ERZE-3-GA-3/8x1/2x1/4	N/A	083S (2)
MPU2-5-AC	3EY1102T - 20.00 x 36.00	63595K31	63595K34	ERZE-5-GA-3/8x1/2x1/4	N/A	N/A	083S
MPU2-7,5-AC	3EY1402T - 20.00 x 36.00	63595K31 (2)	63595K34 (2)	ERZE-3-GA-3/8x1/2x1/4	ERZE-5-GA-3/8x1/2x1/4	N/A	083S (2)
MPU2-8-AC	3EY1402T - 20.00 x 36.00	63595K31 (2)	63595K34 (2)	ERZE-3-GA-3/8x1/2x1/4	ERZE-5-GA-3/8x1/2x1/4	N/A	083S (2)
MPU2-10-AC	3EY1203T - 20.00 x 36.00	63595K31 (2)	63595K34 (2)	ERZE-5-GA-3/8x1/2x1/4	ERZE-5-GA-3/8x1/2x1/4	N/A	083S (2)
MPU3-10-AC	3EY1203T - 24.00 x 42.00	63595K31 (2)	63595K34 (2)	ERZE-5-GA-3/8x1/2x1/4	ERZE-5-GA-3/8x1/2x1/4	N/A	083S (2)
MPU3-15-AC	3EY1403T - 30.00 x 42.00	63595K31 (3)	63595K34 (3)	ERZE-5-GA-3/8x1/2x1/4	ERZE-5-GA-3/8x1/2x1/4	ERZE-6-GA-3/8x1/2x1/4	083S (3)

Item #	DESCRIPTION	MPU1	MPU2	MPU3	MPU4
1	AIR DISTRIBUTION SCREEN	CC1AIDIS	CC2AIDIS	CC3AIDIS	CC4AIDIS
2	BLANK PLATE	CC1BLANKCV	CC2BLANKCV	CC3BLANKCV	CC4BLANKCV
3	BOTTOM	CC1BOTTMH	CC2BOTTMH	CC3BOTTMH	CC4BOTTMH
4	DOOR	CC1DOORH (2)	CC2DOORH (2)	CC3DOORH (2)	CC4DOORH (2)
7	DRAIN PAN	CC1DRPANCV	CC2DRPANCV	CC3DRPANCV	CC4DRPANCV
8	DRIP RAIL		MD13DR (2)		MD45DR(2)
9	LID	CC1LID	CC2LID	CC3LID	CC4LID
10	LEFT FRONT POST	CC1LFRPH(2)	CC2LFRPH(2)	CC3LFRPH(2)	CC4LFRPH(2)
11	PAN SUPPORT	CC1PANSP (2)	CC2PANSP (2)	CC3PANSP (2)	CC4PANSP (2)
12	RIGHT FRONT POST	CC1RFRPH (2)	CC2RFRPH (2)	CC3RFRPH (2)	CC4RFRPH (2)
13	TOP EXTENSION	CC1TPXT (2)	CC2TPXT (2)	CC3TPXT (2)	CC4LIDEX (2)
14	MAIN RAIL		MD12MR (2)		D3MNR (2)
15	END FLASHING	M1EFLS (2)	M2EFLS (2)	M3EFLS (2)	M4EFLS (2)
16	COIL SUPPORT			MCC15COS (3)	
20	DOOR LATCH			A7-10-351-20 (4)	
21	FLOAT SWITCH SUPPORT	ME15SMFLAT	ME15SMFLAT	ME15SMFLAT	ME15SMFLAT
22	OUTSIDE BRACKET COVER			MCC15OBKTC	
23	INSIDE BRACKET COVER			MCC15BKTC	
24	TOP DOOR SUPPORT	CC13TDSH (2)	CC13TDSH (2)	CC13TDSH (2)	CC4TDSH (6)
25	DOOR HINGE	HG-OTA100 (4)	HG-OTA100 (6)	HG-OTA100 (6)	HG-OTA100 (6)

NOTES:
 ENTIRE CABINET GETS INSULATED
 *MPU1-5 and MPU1-5-AC Coils have a 3/4 and 7/8 inch suction connection.
 *MPU1-5E and MPU1-5E-AC Coils have 3/4 inch suction connections on every line.

One part is used unless otherwise noted.