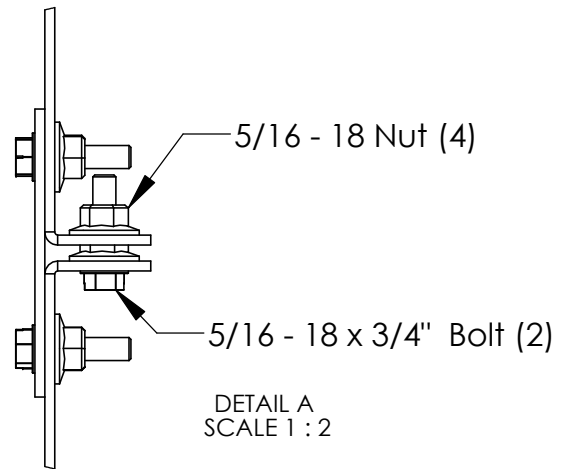
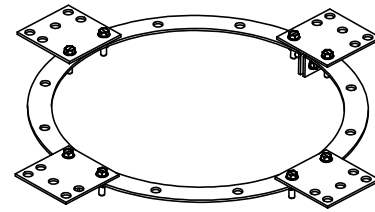
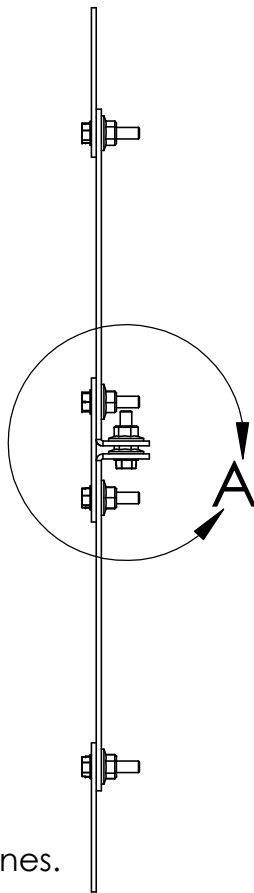
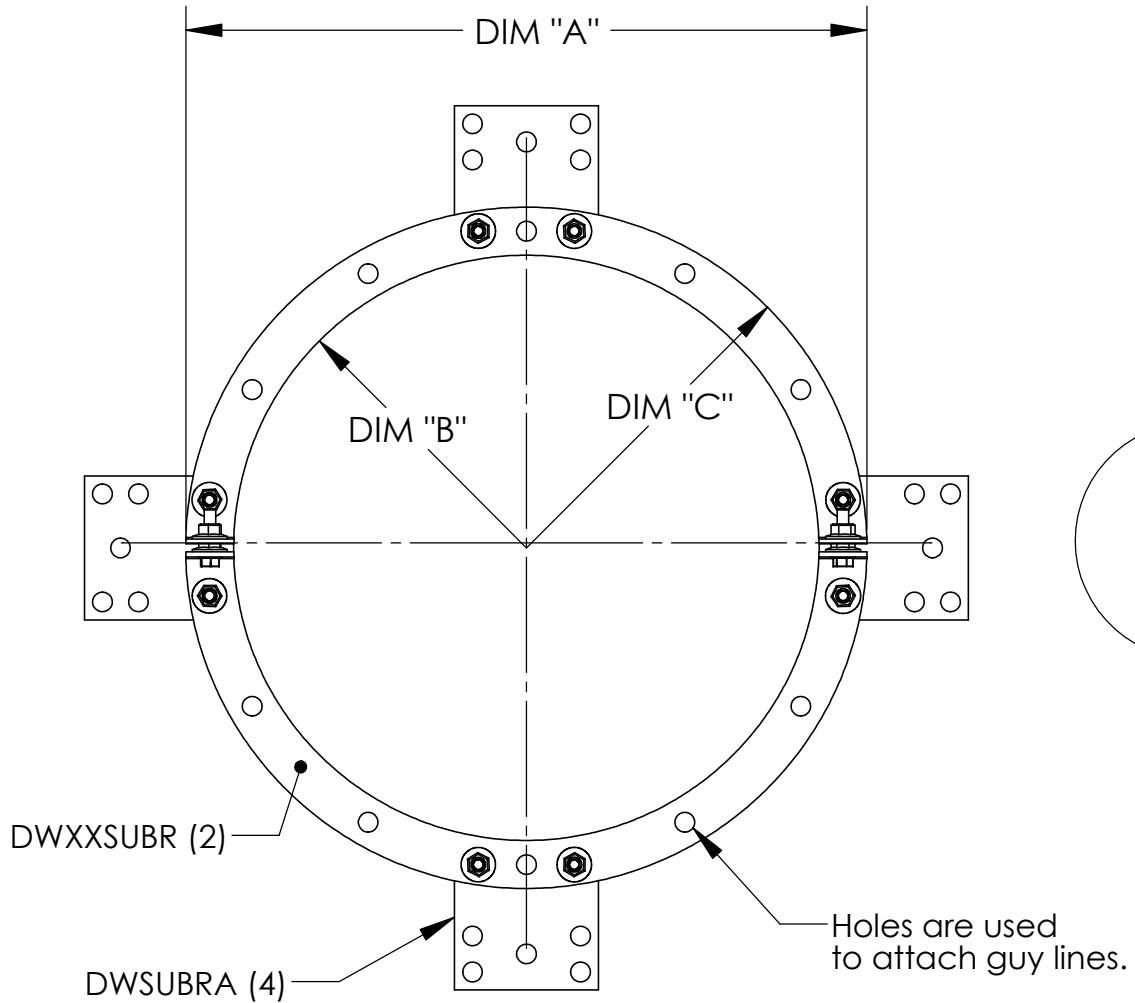


DUCT INFORMATION TABLE

Duct Diameter	DIM "A"	DIM "B"	DIM "C"	Weight	Part Number
8"	10.194	4.099	5.099	5.08 lbs	DW08SUBRASY
10"	12.194	5.099	6.099	7.04 lbs	DW10SUBRASY
12"	14.194	6.099	7.099	9.32 lbs	DW12SUBRASY
14"	16.194	7.099	8.099	11.92 lbs	DW14SUBRASY
16"	18.194	8.099	9.099	14.84 lbs	DW16SUBRASY
18"	20.194	9.099	10.099	18.08 lbs	DW18SUBRASY
20"	22.194	10.099	11.099	21.64 lbs	DW20SUBRASY
24"	26.194	12.099	13.099	29.74 lbs	DW24SUBRASY



DUCT INFORMATION TABLE

Duct Diameter	DIM "A"	DIM "B"	DIM "C"	Part Number	Part Number
8"	10.194	4.099	13.694	DW08VESU	DW08VESU18
10"	12.194	5.099	15.694	DW10VESU	DW10VESU18
12"	14.194	6.099	17.694	DW12VESU	DW12VESU18
14"	16.194	7.099	19.694	DW14VESU	DW14VESU18
16"	18.194	8.099	21.694	DW16VESU	DW16VESU18
18"	20.194	9.099	23.694	DW18VESU	DW18VESU18
20"	22.194	10.099	25.694	DW20VESU	DW20VESU18
24"	26.194	12.099	29.694	DW24VESU	DW24VESU18

Uninsulated duct must be 18" from combustible surface.

